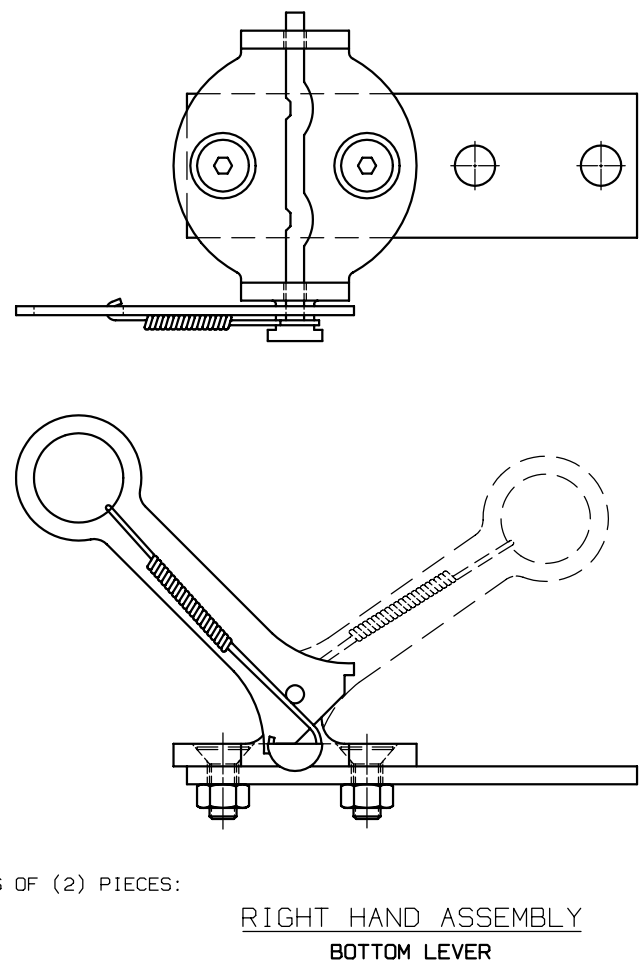
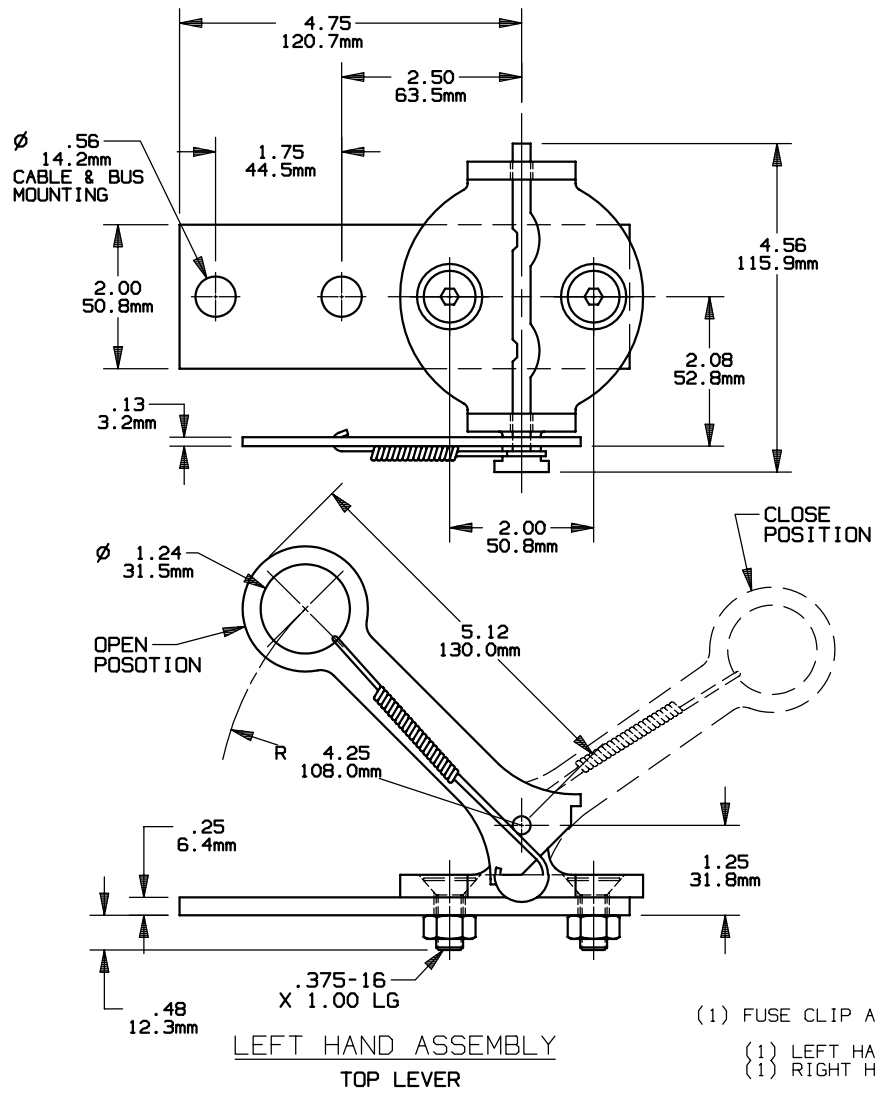


REV	DATE	ECO	DESCRIPTION	BY	CK	APP
A	2-22-08	NA	UPDATED FORMAT & REDRAWN WAS ON 23752 REV -	LDB	NA	(SEE ECO)



- (1) FUSE CLIP ASSEMBLY CONSISTS OF (2) PIECES:
 (1) LEFT HAND ASSEMBLY AND
 (1) RIGHT HAND ASSEMBLY.

Ferraz Shawmut
 FERRAZ SHAWMUT INC.
 374 MERRIMAC STREET
 NEWBURYPORT MA 01950

PRODUCT MANAGER	DESIGN ENGINEER
SIGN:	SIGN:
DATE:	DATE:

228-700-520
 FUSE CLIP LOCK (PAIR)

OUTLINE DIMENSIONS
 NOT TO BE USED FOR PRODUCTION

23752