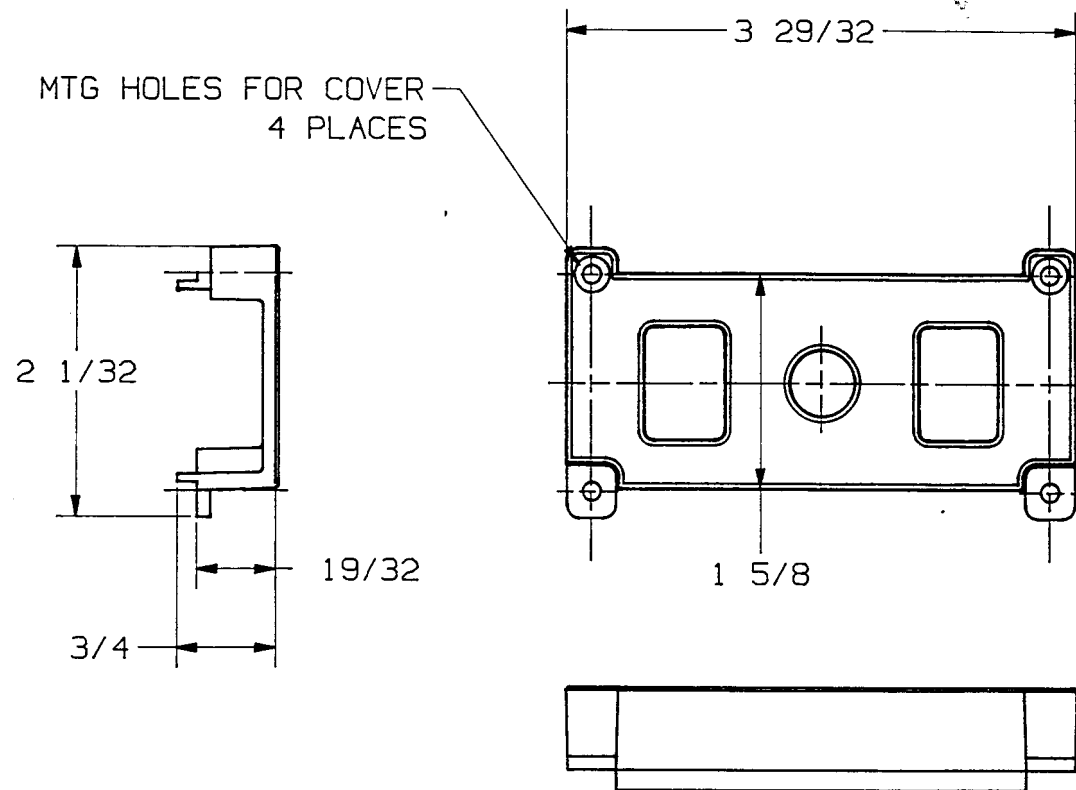


| REV | DESCRIPTION                        | DATE    | APPD |
|-----|------------------------------------|---------|------|
| 01  | REVISED AND REDRAWN PER ECO 89-021 | 8/16/89 | (BT) |



COPY

P/N 08570

|  |  |                |  |                         |  |  |  |
|--|--|----------------|--|-------------------------|--|--|--|
| NOTES UNLESS OTHERWISE SPECIFIED<br>- ALL DIMENSIONS ARE IN INCHES<br>- STAMP OR ETCH DWG. NO. ON PART<br>- REMOVE ALL BURRS AND SHARP EDGES<br>- TOLERANCES: XXXX±.0005; XXX±.005;<br>XX±.01; X±.04; ANGLES ±0°30'<br>FRACTIONS ±1/32 |  |                |  | MATERIAL                |  | <b>GOULD SHAWMUT</b><br>GOULD SHAWMUT<br>P. O. BOX 729<br>MARBLE FALLS, TX 78654 |  |
|  |  |                |  | FINISH                  |  |  |  |
| THIS DRAWING AND ALL INFORMATION THEREON<br>IS THE PROPERTY OF GOULD, IS CONFIDENTIAL,<br>MUST NOT BE COPIED OR MADE PUBLIC UNLESS<br>AUTHORIZED AND IS SUBJECT TO RETURN ON<br>DEMAND.  |  |                |  | SIGNATURES              |  | DATE   |  |
|  |  |                |  | DRWN <i>(Signature)</i> |  | 8/8/89   |  |
| ASSY DWG USED ON   |  | REF OR SIM DWG |  | CHKD <i>(Signature)</i> |  | 8/30/89  |  |
|  |  |                |  | ENGD                    |  | DWG NO   |  |
|  |  |                |  | APPD <i>(Signature)</i> |  | 8/16/89  |  |
|  |  |                |  | SCALE                   |  | FILE NO  |  |
|  |  |                |  | NONE                    |  | 27B0060  |  |
|  |  |                |  | SHEET                   |  | REV  |  |
|  |  |                |  | 1 of 1                  |  | 01   |  |