



## Finger-Safe Power Distribution Blocks



## Solutions for Safer Panels

Building on our revolutionary ULTRASAFE™ fuse holders, we've expanded the safety concept into a line of power distribution blocks — Ferraz Shawmut's Finger-Safe Power Distribution Blocks (FSPDB). The features that today's panel builders demand are available in a "finger-safe" power distribution block offering global acceptance, a compact footprint, and the snap-on simplicity of DIN rail mounting.

### FSPDB's - 100kA SCCR

#### Finger-Safe Power Distribution Blocks Features & Benefits

*"Finger-safe" design – Fully covered block ensures that no one can touch it. Fingers simply can't touch live parts.*

*Global acceptance – The FSPDB line is UL, CSA and IEC compliant. CE Marking ensures acceptance throughout the European community.*

*Mounting feet – Means for direct panel mounting provides additional flexibility.*

*Captive set screws – Unique channel design ensures the captivity of the wire termination set screws. Screws can never be lost.*

*Cap plugs – Convenient accessory provides the ability to maintain touch safety on unused openings.*

*Multiple-pole assembly – If desired for panel mounting, simply snap in accessory pin for rigid fit.*

*DIN rail mounting – Integral design allows for quick and easy installations on 35mm DIN rail.*

*Compact modularity – Single, two, three or multiple pole configurations in the most compact footprint.*

*Circuit identifications – Optional marker system allows users to easily ID their circuits.*

#### Agency Approvals

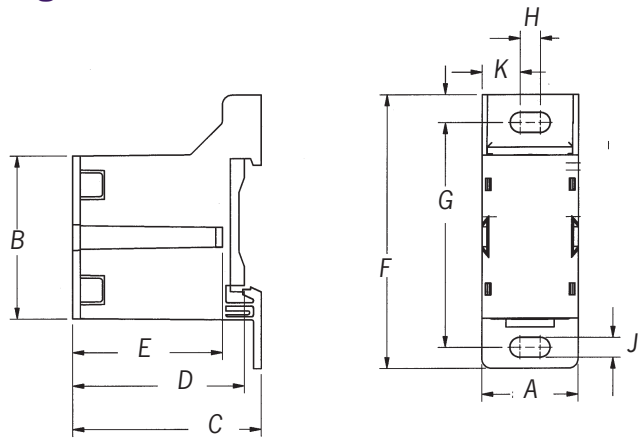
UL Recognized Component - File E73571, Guide XCFR2; CSA Certified - Class 6228, File 69363, IEC-947-7-1, 529, 68-2-6, CE Marked.



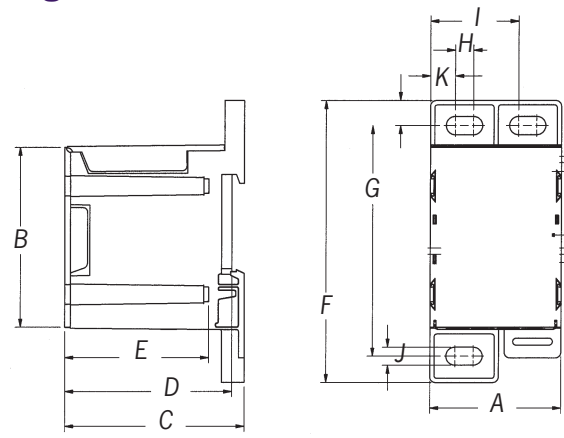
With OSHA's increased scrutiny on safety and the requirements of NFPA 70E, it's critical to provide safer panels. And the best way to do so is to use all "finger-safe" components. This eliminates the need for more costly methods such as mounting plexiglass sheets to cover the entire panel.

Whether it's for new designs or retrofits, when panel builders and OEMs think safety, they think Ferraz Shawmut. And no wonder. With "finger-safe" components ranging from our Socomec line for the incoming main disconnect switch, our popular ULTRASAFE fuse holders, and our FSPDB line of power distribution blocks, Ferraz Shawmut has a solution for all your panel's safety needs.

**Figure 1**



**Figure 2**



**Catalog Nomenclature and Ratings**

Catalog Number		Ampere Rating (Based on NEC Table 310 - 16 for 7°C Cu wire)	Line		Openings per Pole	Load		SCCR	Max Required Overcurrent Protection Fuse Amperage						
Aluminum (90°C Cu/ AL wire)	Copper (75°C Cu wire only)		Wire Range			Wire Range			Openings per Pole	Class J (AJT)	Class T (A3T/ A6T)	RK1 (A2D/ A6D, A2K/ A6K)	RK5 (TR/ TRS)	Class G (AG)	Class CC (ATDR, ATQR, ATMR)
			AWG/ kcmil	mm <sup>2</sup>		AWG/ kcmil	mm <sup>2</sup>								
FSPDB1A	FSPDB1C	175	2/0 - #14	70 - 2.5	1	2/0 - #14	70 - 2.5	1	100kA	200A	200A	200A	100A	60A	30A
FSPDB2A	FSPDB2C	175	2/0 - #14	70 - 2.5	1	#2 - #14	35 - 2.5	4	100kA	200A	200A	200A	100A	60A	30A
FSPDB3A	FSPDB3C	310	350 - #6 2/0 - #14	185 - 16 70 - 2.5	1	#2 - #14	35 - 2.5	8	100kA	400A	400A	400A	200A	60A	30A
FSPDB4A	FSPDB4C	335	400 - #6	185 - 16	1	400 - #6	185 - 16	1	100kA	400A	400A	400A	200A	60A	30A
FSPDB5A	FSPDB5C	840	600 - #4	300 - 25	2	600 - #4	300 - 25	2	100kA	400A	400A	400A	200A	60A	30A

Ferraz Shawmut PDB's meet the latest UL508A and NEC requirements with 100kA short circuit current rating with proper fusing.

**Outline Dimensions**

Dimension	FSPDB1A FSPDB1C Figure 1		FSPDB2A FSPDB2C Figure 1		FSPDB3A FSPDB3C Figure 2		FSPDB4A FSPDB4C Figure 1		FSPDB5A FSPDB5C Figure 2	
	mm	in	mm	in	mm	in	mm	in	mm	in
A	25.4	1.00	28.4	1.12	46.9	1.85	39	1.54	72	2.84
B	43.3	1.70	57.8	2.28	64.3	2.53	108	4.25	91	3.58
C	49.5	1.95	56.0	2.21	64.3	2.53	80	3.15	80	3.15
D	45.1	1.78	51.6	2.03	59.8	2.36	75.5	2.97	-	-
E	39.4	1.55	39.4	1.55	51.5	2.03	50.1	1.97	50.1	1.97
F	72.6	2.86	87.7	3.45	100.8	3.97	145.5	5.73	145	5.71
G	59.6	2.35	74.6	2.94	82.4	3.24	120.6	4.75	127.5	5.02
H	5.2	0.21	5.1	0.20	6.5	0.26	7	0.28	3	0.12
I	-	-	-	-	31.5	1.24	-	-	52	2.04
J	5.3	0.21	6.4	0.25	6.5	0.26	6.5	0.26	6.5	0.26
K	10	0.40	11.7	0.46	8.9	0.35	16	0.63	8.5	0.34

**Accessories**

Catalog #	Description
FSPIN1	Accessory pin to form multiple pole block
FSCIM1	Circuit identification marker for 2/0 & #2 max conductors
FSCIM2	Circuit identification marker for 350, 400 & 600 km max conductors
FSCAP1	Cap plug for spare 2/0 openings
FSCAP2	Cap plug for spare 350 kcmil openings
FSEA	Pair of end anchors

**To learn more...**

For more information about our Finger-Safe Power Distribution Block — the next generation in panel safety — visit [us.ferrazshawmut.com](http://us.ferrazshawmut.com), contact your Ferraz Shawmut representative, or call us today at 978-462-6662.

**A relentless pursuit of protection for electrical components, systems—and the people who use them.**

Ferraz Shawmut is an international company manufacturing the widest range of circuit protection solutions in the electrical industry. Drawing on a century of experience—and an ongoing commitment to critical research in electrical safety—we provide industrial, commercial, and OEM customers with innovative products and technical support teams to increase effectiveness, simplify applications, and enhance productivity. Learn more about our circuit protection solutions at [us.ferrazshawmut.com](http://us.ferrazshawmut.com).

For more on FSPDB, visit our website at [us.ferrazshawmut.com](http://us.ferrazshawmut.com).

USA  
Ferraz Shawmut  
374 Merrimac Street,  
Newburyport, MA 01950  
T: 978-462-6662  
F: 978-462-0181

France  
Ferraz Shawmut  
1, rue Jean Novel  
F-29100 Villeurbanne  
France  
Phone: +33 (0)4 72 22 66 11  
Fax: +33 (0)4 72 22 67 13

Canada  
88 Horner Avenue  
Toronto, Ontario, Canada M8Z 5Y3  
Phone: 416-252-9371  
Toll-Free Phone: 800-267-8727  
Fax: 416-252-6572  
Toll-Free Fax: 800-387-3329

©2007 Ferraz Shawmut. All rights reserved.

BR-FSPDB-001