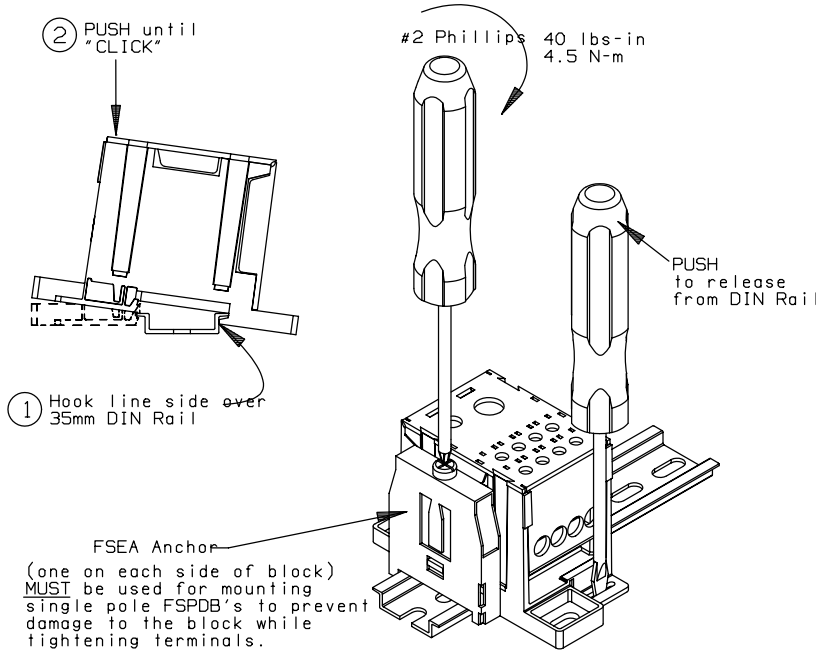
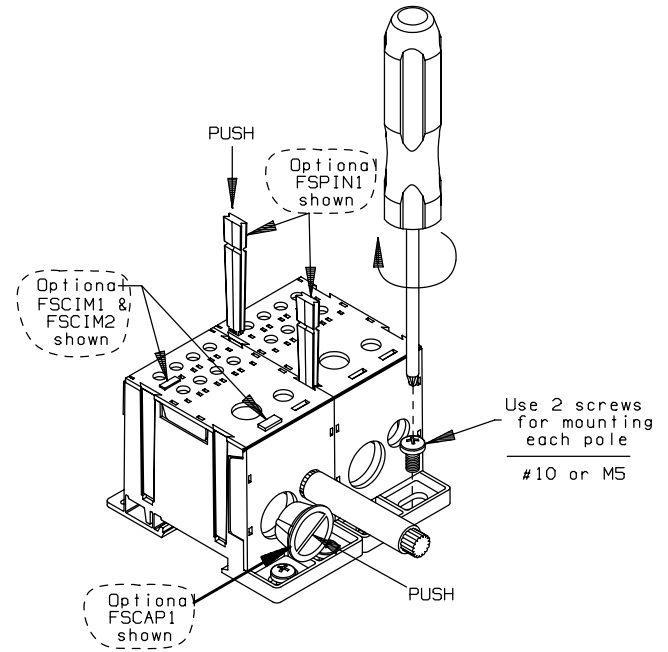


DIN RAIL MOUNTING



FSEA Anchor recommended for all FSPDB on DIN rails.

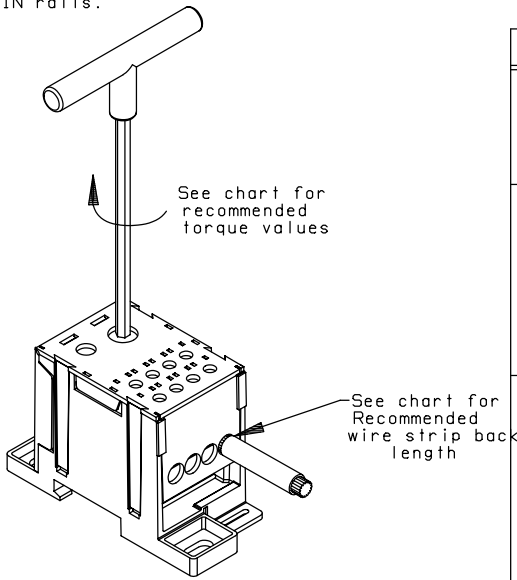
PANEL MOUNTING



TIGHTENING TORQUE TABLE

(with recommended strip back lengths to maintain IP20 rating)

Catalog No.	Wire Hole Range	Wire Strip Back length	Hex Driver Size	Wire Size	Torque	Short Circuit Current Rating	Fuse Type & Max. Req'd Am
FSPDB1A FSPDB1C	2/0-#14 (70-2.5mm ²)	0.75in (19.1mm)	5mm	2/0-#1 (70-50mm ²)	100 lbs-in (11.4 N-m)	100kA	CLASS J 200A
				#2-#6 (35-16mm ²)	80 lbs-in (9 N-m)		
				#8-#14 (10-2.5mm ²)	35 lbs-in (3.9 N-m)		
FSPDB2A FSPDB2C	2/0-#14 (70-2.5mm ²)	1 in (25.4mm)	5mm	2/0-#1 (70-50mm ²)	100 lbs-in (11.4 N-m)	100kA	CLASS J 200A
				#2-#6 (35-16mm ²)	80 lbs-in (9 N-m)		
	#2-#14 (35-2.5mm ²)	0.625in (15.9mm)	4mm	#8-#14 (10-2.5mm ²)	35 lbs-in (3.9 N-m)		
				#2-#6 (35-16mm ²)	80 lbs-in (9 N-m)		
FSPDB3A FSPDB3C	350-#6 (35-2.5mm ²)	1.125in (28.5mm)	8mm	350kcmil-3 (185-95mm ²)	200 lbs-in (22.6 N-m)	100kA	CLASS J 400A
				2/0-#1 (70-50mm ²)	100 lbs-in (11.4 N-m)		
	2/0-#14 (70-2.5mm ²)	0.875in (22.2mm)	5mm	#2-#6 (35-16mm ²)	80 lbs-in (9 N-m)		
				2/0-#1 (70-50mm ²)	100 lbs-in (11.4 N-m)		
				#8-#14 (10-2.5mm ²)	35 lbs-in (3.9 N-m)		
FSPDB4A	400-#6 (185-16mm ²)	1.3in (33mm)	10mm	#8-#14 (10-2.5mm ²)	35 lbs-in (3.9 N-m)		
				0-#2 (50-35mm ²)	170 lbs-in (19.2 N-m)		
				#3-#6 (25-16mm ²)	130 lbs-in (14.7 N-m)		
FSPDB5A	600-#4 (300-25mm ²)	1.3in (33mm)	10mm	600-500kcm (300-240mm ²)	1310 lbs-in (35.1 N-m)		
				400kcmil-0 (185-70mm ²)	220 lbs-in (24.9 N-m)		
				0-#2 (50-35mm ²)	170 lbs-in (19.2 N-m)		
FSPDB5C	600-#4 (300-25mm ²)	1.3in (33mm)	10mm	#3-#4 (25mm ²)	130 lbs-in (14.7 N-m)		
				400kcmil-0 (185-70mm ²)	220 lbs-in (24.9 N-m)		
				0-#4 (50-25mm ²)	90 lbs-in (10.2 N-m)		



ENVIRONMENTAL SPECIFICATIONS:

- * Operating temperature range -10°C to 60°C
- * Storage temperature range -25°C to 60°C
- * Meets ISO 14000

ACCESSORIES:

Plugs: For FSPDB3A or FSPDB3C blocks, insert appropriate plug into unused line side openings until firmly seated. Plugs are not required for load side openings.
FSCAP1 - for 2/0-#14 openings.
FSCAP2 - for 350 kcmil openings.
 To remove the plug, simply hold the strip in plug and pull to remove.

Assembly Pins: To secure multiple poles together for panel mounting applications, use FSPIN1 assembly pins. Place the poles to be secured close together on a flat surface. Slide the assembly pins into mating slots making sure the assembly pins engage both poles. Simply push the pins in until completely seated.

Wire Markers: Simply snap in circuit identification markers into the block and use indelible ink to identify.

Wire sizes based on AWG/kcmil standards with closest commercially available mm size.
 2. Torque values -0, +10%
 kcmil conductors), FSCIM1 for 2/0 and #2 conductors, FSCIM2 for 350, 400 and 600 kcmil conductors)