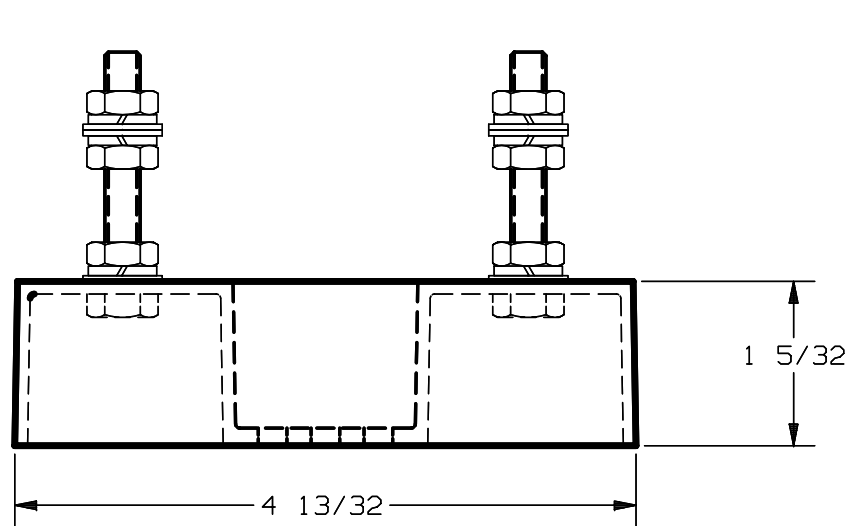
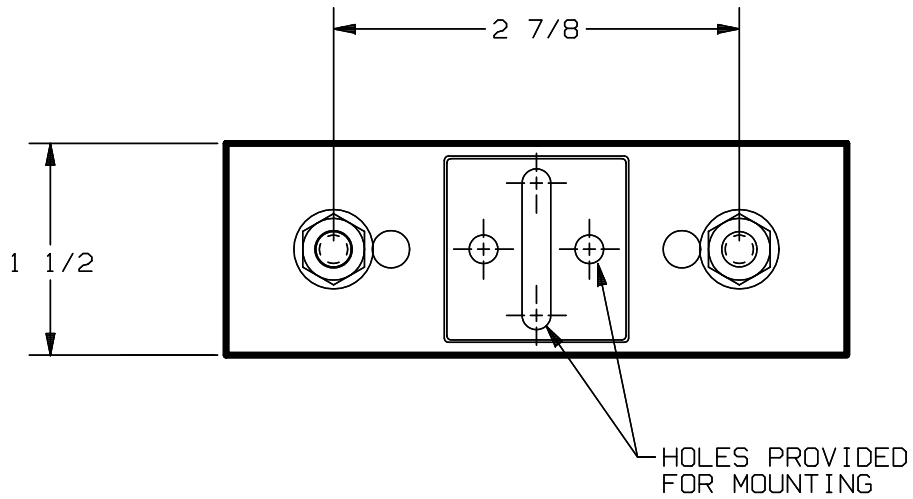
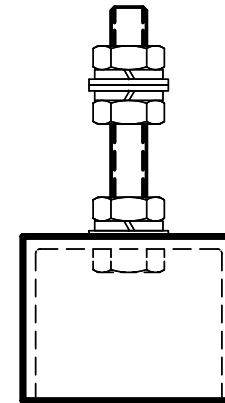


UO 11/92  
U1 8/93

UNRELEASED  
ADDED SCREW HEAD



BP



P/N P243E

2. PROPOSED RATING 1000 VOLTS.  
1. MATERIAL COMPOSITION AND RATING:  
BASE - THERMOPLASTIC  
HARDWARE - PLATED COPPER ALLOY  
NOTES: UNLESS OTHERWISE SPECIFIED

KDS 11/92  
GHO 11/92  
FUSE BLOCK, FORM 101 27B0101