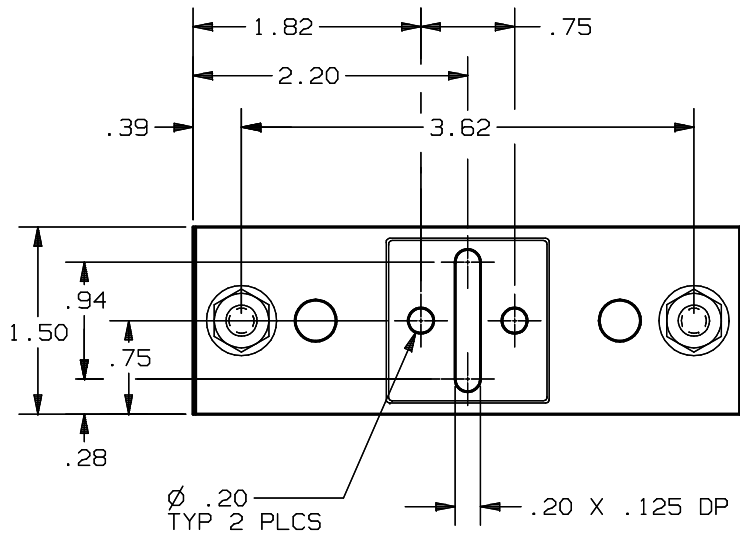
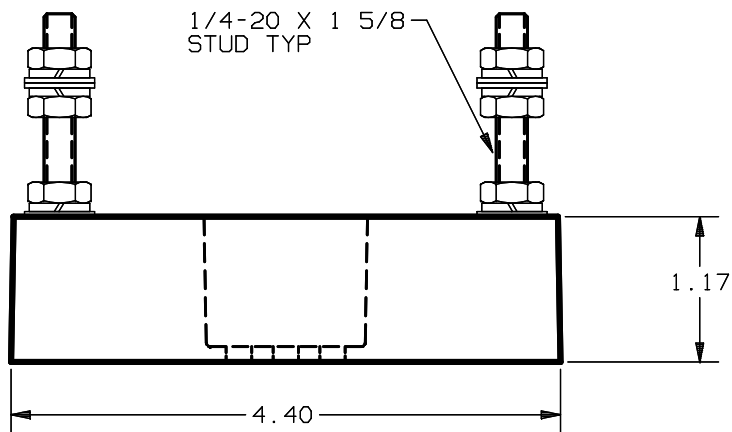


U0 10/92 UNRELEASED
 00 2/94 RELEASED

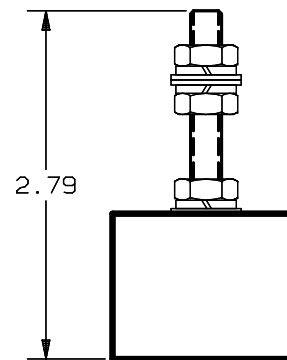
BM GO 



P/N	VOLTS	U L	
		FILE NO.	GUIDE NO.
P243C	1000	E52283	IZLT2



 BP



P/N P243C

1. MATERIAL COMPOSITION AND RATING:
 BASE - POLYCARBONATE
 HARDWARE - PLATED COPPER ALLOY
 NOTES: UNLESS OTHERWISE SPECIFIED

KDS 10/92
 GH0 10/92
 FUSE BLOCK, FORM 101 05B0416 00