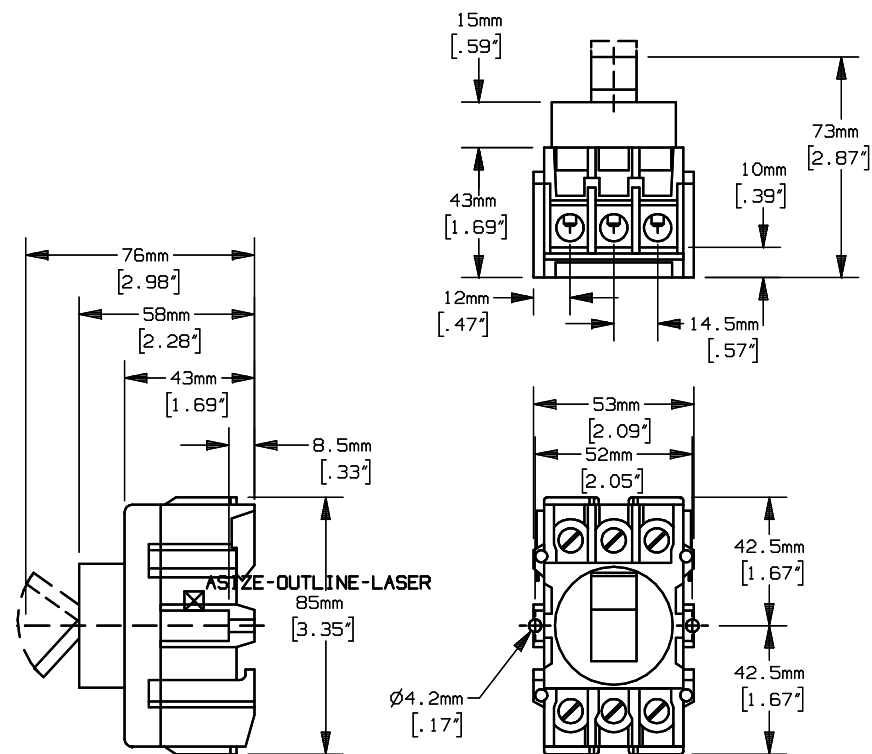


-	4/3/01	N/A	INITIAL RELEASE	LAS	N/A	N/A
---	--------	-----	-----------------	-----	-----	-----



NOTES:

1. MATERIAL COMPOSITION: LBST - THERMOSET
2. DIMENSIONS ARE mm/[INCHES].
3. TOLERANCES ARE ±.01 UNLESS OTHERWISE SPECIFIED.

P/N	AMPERE RATING	CONN TYPE	RMS SYM RATING	TORQUE (LBS-IN)	WIRE			UL		cUL	
					WIRE RANGE	°C	TYPE	FILE NO.	GUIDE NO.	FILE NO.	GUIDE NO.
LBST60	60	BOX	10,000	50	#3-#14	60/75	Cu	E196672	NLRV	E196672	NLRV7
LBST80	80	BOX	10,000	50	#3-#14	60/75	Cu	E196672	NLRV	E196672	NLRV7
LBST100	100	BOX	10,000	50	#3-#14	60/75	Cu	E196672	NLRV	E196672	NLRV7
LBST125	125	BOX	10,000	50	#3-#14	60/75	Cu	E196672	NLRV	E196672	NLRV7

NON-FUSIBLE
DISCONNECT SWITCH

600V, 3 POLE

700618