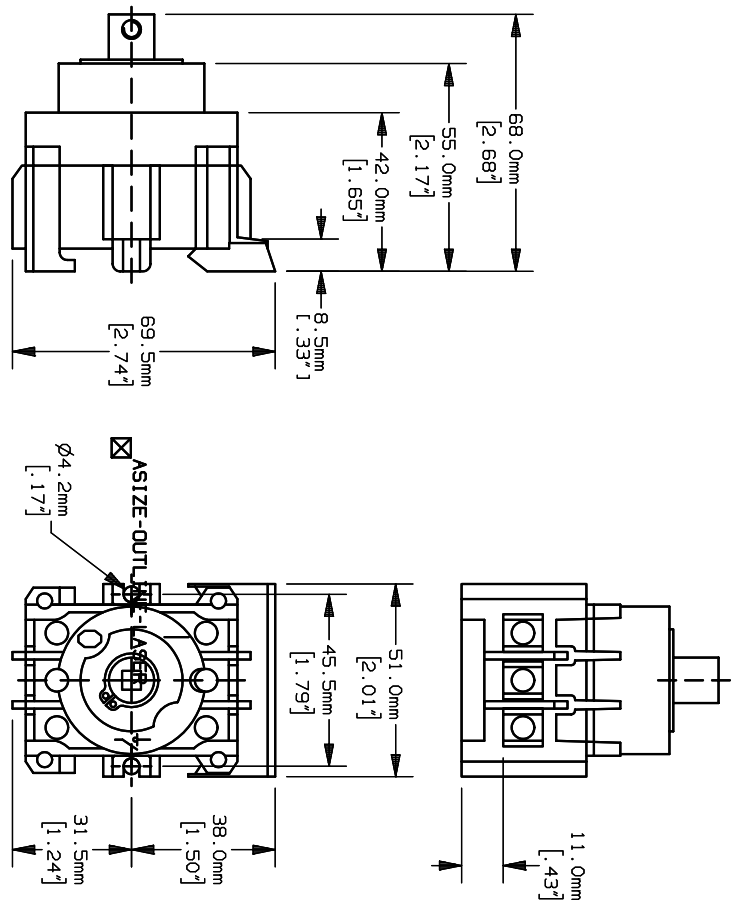


-	4/3/01	N/A	INITIAL RELEASE	LAS	N/A	N/A
---	--------	-----	-----------------	-----	-----	-----



- NOTES:
1. MATERIAL COMPOSITION: LBSR - THERMOSET
 2. DIMENSIONS ARE mm/(INCHES).
 3. TOLERANCES ARE ±.01 UNLESS OTHERWISE SPECIFIED.

P/N	AMPERE RATING	CONN TYPE	RMS. SYM RATING	TORQUE (LBS-IN)	WIRE		UL		cUL		
					WIRE RANGE	° C	TYPE	FILE NO.	GUIDE NO.	FILE NO.	GUIDE NO.
LBSR30	30	BOX	10,000	35	#8-#14	60/75	Cu	E196672	NLRV	E196672	NLRV7
LBSR40	40										

NON-FUSIBLE
DISCONNECT SWITCH
600V, 3 POLE
700614