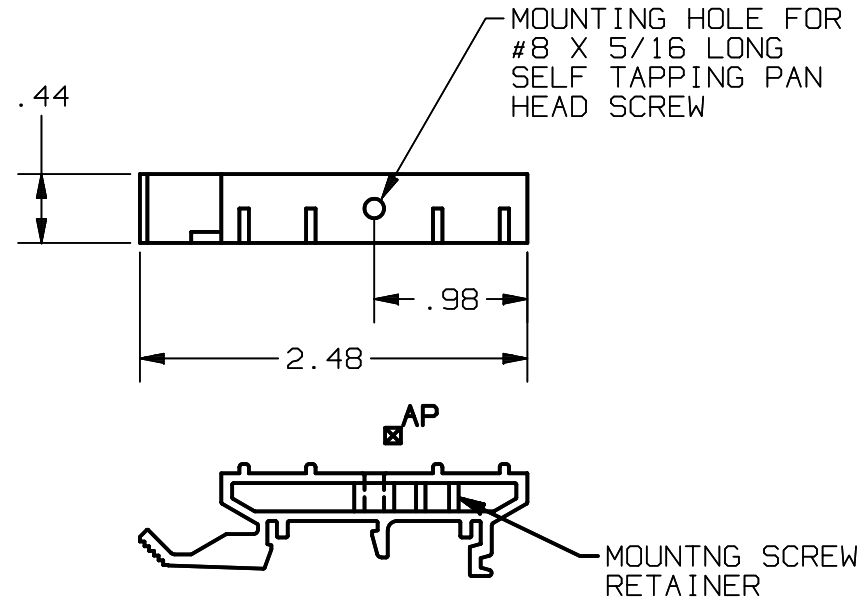


U0 8/91 UNRELEASED
00 12/92 RELEASED PER ECO



P/N DRM

- NOTES: UNLESS OTHERWISE SPECIFIED
1. ADAPTER, DIN RAIL TO MIDGET W/SCREW
2. ADAPTS 303 SERIES FUSE HOLDERS TO 35mm TOP HAT AND "G" RAILS.
3. MATERIAL: THERMOPLASTIC

KDS 12/9292-162

GH0 12/92

ADAPTER, DIN RAIL

05A0357

00