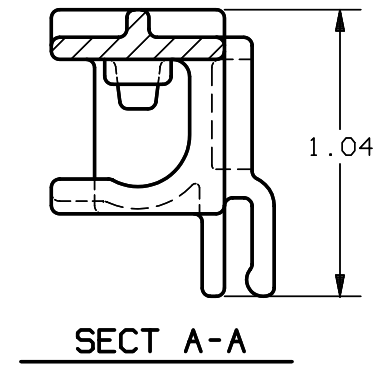
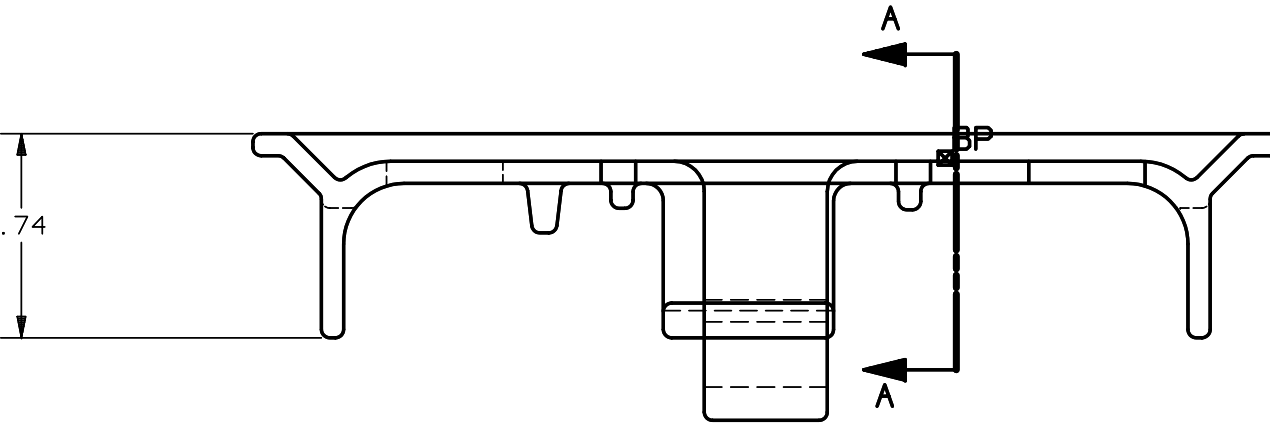
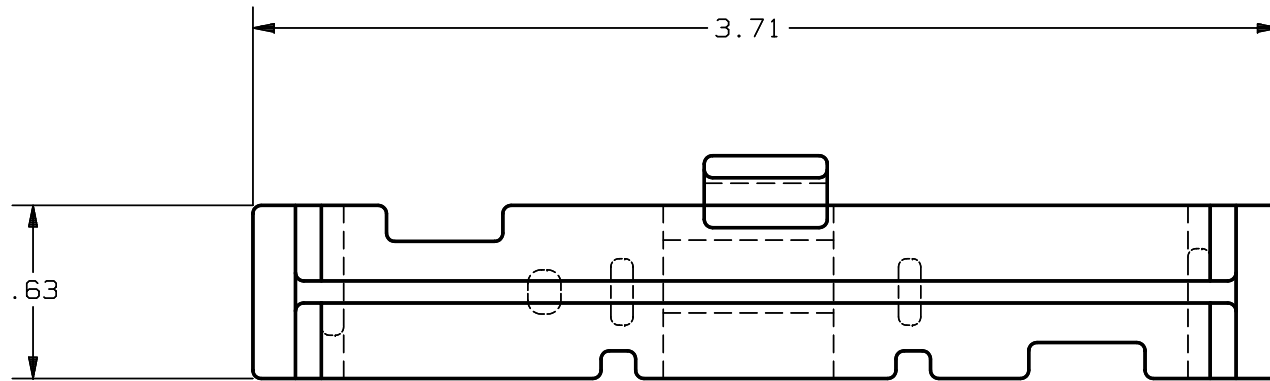


00 7/14/95 RELEASED

REV-



P/N DFC3LP

1. MATERIAL: TRANSPARENT THERMOPLASTIC

PF 1/94

NOTES: UNLESS OTHERWISE SPECIFIED

FUSE PULLER, FINGER SAFE 05B0472 00