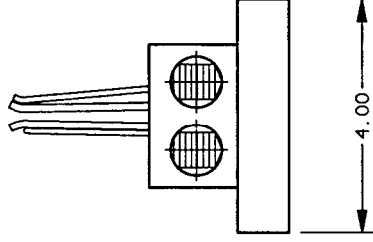
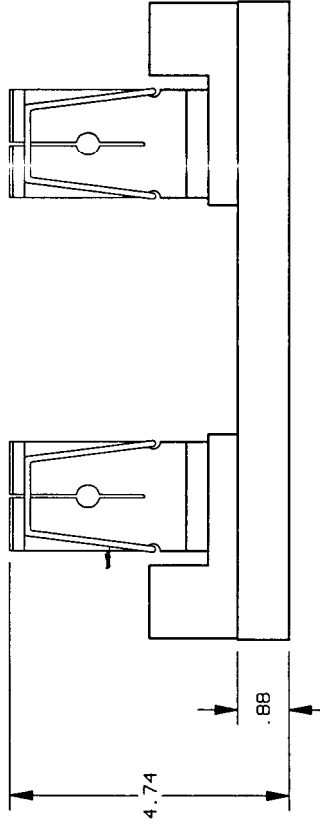
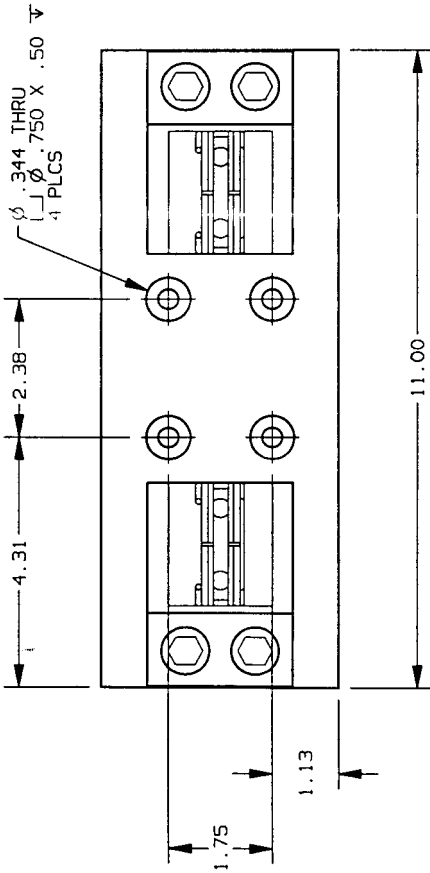


REV	DATE	ECO	DESCRIPTION	BY	CHK	APP
-	11-8-99	N/A	INITIAL RELEASE	CRP	N/A	N/A



NOTES:

1. MATERIAL COMPOSITION AND RATING: BASE - THERMOPLASTIC 125°C RTI
2. ALL TOLERANCES ±.010 UNLESS OTHERWISE NOTED

P/N	CONN TYPE	RMS SYM RATING	TORQUE (IN-LBS)	WIRE	U/L	CSA
				•C	FILE NO.	REPORT NO.
6631J	AL BOX	200K	500	75	E52283	LR32169
				CU - AL	I7LT	

**GOULD** 374 MERRIMAC STREET  
NEWBURYPORT, MA 01950

PRODUCT MANAGER  
SIGN: *Theresa Miller*  
DATE: 11-8-99

DESIGN ENGINEER  
SIGN: *M. Moran*  
DATE: 11/8/99

FUSE BLOCK, 600V-600A, 1 POLE  
CLASS J

OUTLINE DIMENSIONS  
NOT TO BE USED FOR PRODUCTION

700518