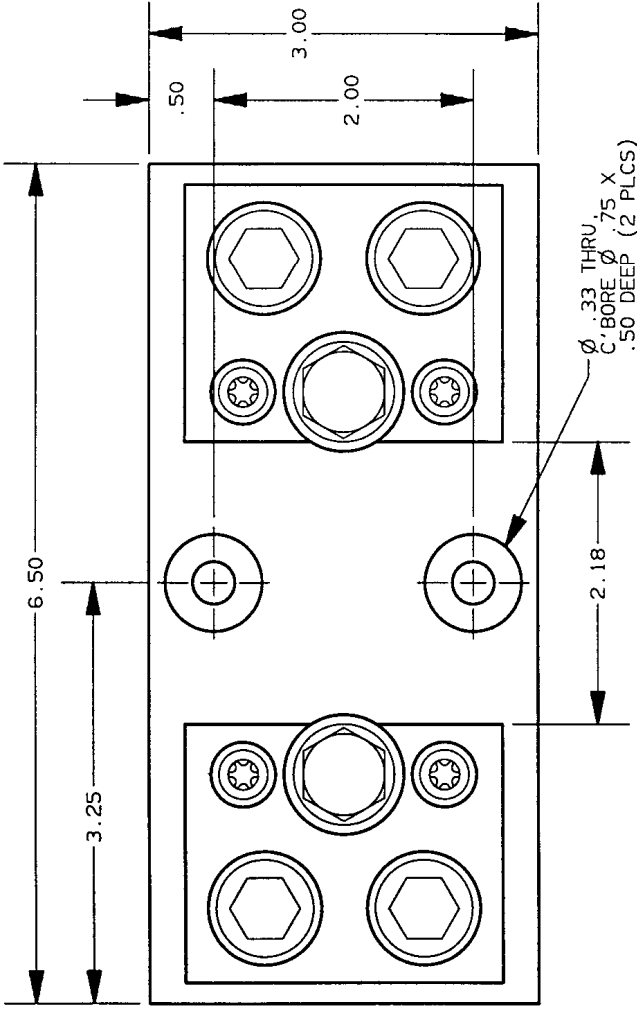
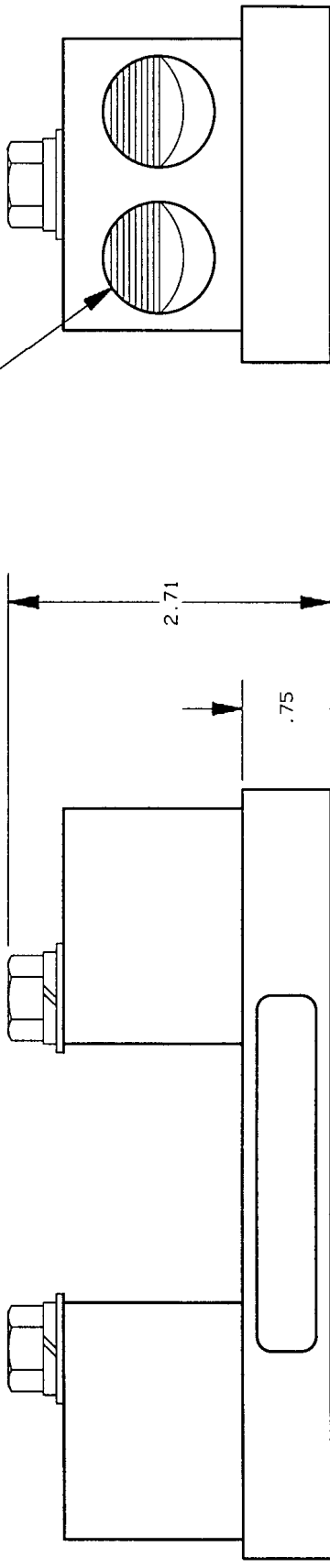


REV	DATE	ECO	BY	CK	APP
-	6-11-97	N/A	GCT	N/A	N/A
DESCRIPTION			INIT RELEASE		



WIRE RANGE
600 Kcmil-#2



NOTES:

- UNLESS OTHERWISE SPECIFIED MATERIAL COMPOSITION AND RATING: BASE - THERMOSET 150°C RTI CONNECTOR-ALUMINUM, TIN PLATED.

P/N	FUSE CLASS	RMS SYM RATING	TORQUE (IN-LBS)	CONNECTOR TYPE	WIRE		UL		CSA REPORT NO.
					*C	TYPE	FILE NO.	GUIDE NO.	
66031T	T	200K	600	BOX	75	CU-AL	E52283	IZLT	LR32169

GOULD 374 MERRIMAC STREET
NEWBURYPORT, MA 01950

PRODUCT MANAGER: *Richard DeL...*
DESIGN ENGINEER: *Steve M. Boy...*
SIGN: *Richard DeL...* DATE: 6-17-97
SIGN: *Steve M. Boy...* DATE: 6/17/97

FUSE, BLOCK 600V-600A
CLASS T
1 POLE

OUTLINE DIMENSIONS
NOT TO BE USED FOR PRODUCTION

700058