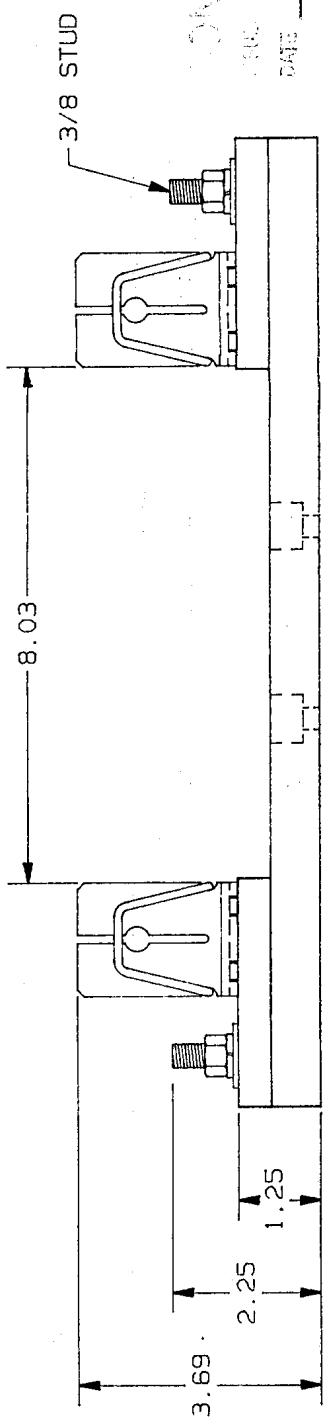
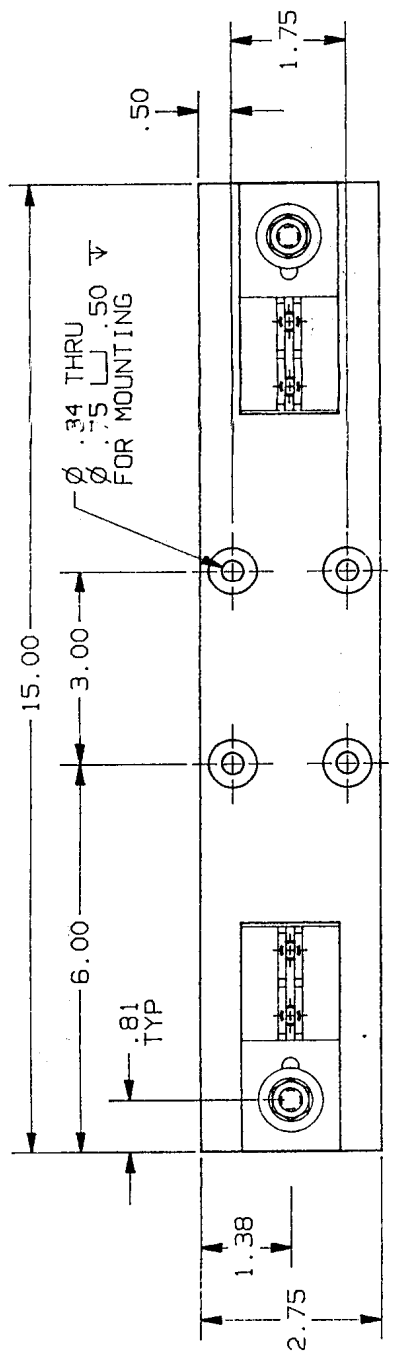


REV	DATE	ECO	DESCRIPTION	BY	CK
00	12/93	1274	RELEASED	GO	OK



UNCONTROLLED
Newburyport
DATE JUN 1, 1994

P/N	CONN TYPE	RMS SYM RATING	TORQUE (IN-LBS)	UL FILE NO.	CSA REPORT NO.
64011 64011R	STUD	10K	228	E52283	IZLT2LR32169

P/N 64011
64011R

3. MATERIALS: BASE- PHENOLIC
HARDWARE- TIN PLATED COPPER ALLOY
2. REJECTION NOT SHOWN.
1. ADD R FOR REJECTION.

NOTES: UNLESS OTHERWISE SPECIFIED

GOULD BOLD INC.
P.O. BOX 728
CIRCUIT PROTECTION DIV. WILMINGTON, DE 19880

DRAWN BY: KDS
DATE: 12/93
UNIT: IN.

CHECKED BY: NONE
SCALE: NONE

REF/DOC: 05B0470 00

DESCRIPTION: FUSEBLOCK, 600V-400A

IDENTIFICATION NO. & REVISION: 05B0470 00

TOLERANCE TO BE APPLIED UNLESS OTHERWISE SPECIFIED: .0004, .00051, .0006, .0007, .0008, .011, .015, .02, .025, .03, .035, .04, .045, .05, .055, .06, .065, .07, .075, .08, .085, .09, .095, .1, .105, .11, .115, .12, .125, .13, .135, .14, .145, .15, .155, .16, .165, .17, .175, .18, .185, .19, .195, .2, .205, .21, .215, .22, .225, .23, .235, .24, .245, .25, .255, .26, .265, .27, .275, .28, .285, .29, .295, .3, .305, .31, .315, .32, .325, .33, .335, .34, .345, .35, .355, .36, .365, .37, .375, .38, .385, .39, .395, .4, .405, .41, .415, .42, .425, .43, .435, .44, .445, .45, .455, .46, .465, .47, .475, .48, .485, .49, .495, .5, .505, .51, .515, .52, .525, .53, .535, .54, .545, .55, .555, .56, .565, .57, .575, .58, .585, .59, .595, .6, .605, .61, .615, .62, .625, .63, .635, .64, .645, .65, .655, .66, .665, .67, .675, .68, .685, .69, .695, .7, .705, .71, .715, .72, .725, .73, .735, .74, .745, .75, .755, .76, .765, .77, .775, .78, .785, .79, .795, .8, .805, .81, .815, .82, .825, .83, .835, .84, .845, .85, .855, .86, .865, .87, .875, .88, .885, .89, .895, .9, .905, .91, .915, .92, .925, .93, .935, .94, .945, .95, .955, .96, .965, .97, .975, .98, .985, .99, .995, 1.0, 1.005, 1.01, 1.015, 1.02, 1.025, 1.03, 1.035, 1.04, 1.045, 1.05, 1.055, 1.06, 1.065, 1.07, 1.075, 1.08, 1.085, 1.09, 1.095, 1.1, 1.105, 1.11, 1.115, 1.12, 1.125, 1.13, 1.135, 1.14, 1.145, 1.15, 1.155, 1.16, 1.165, 1.17, 1.175, 1.18, 1.185, 1.19, 1.195, 1.2, 1.205, 1.21, 1.215, 1.22, 1.225, 1.23, 1.235, 1.24, 1.245, 1.25, 1.255, 1.26, 1.265, 1.27, 1.275, 1.28, 1.285, 1.29, 1.295, 1.3, 1.305, 1.31, 1.315, 1.32, 1.325, 1.33, 1.335, 1.34, 1.345, 1.35, 1.355, 1.36, 1.365, 1.37, 1.375, 1.38, 1.385, 1.39, 1.395, 1.4, 1.405, 1.41, 1.415, 1.42, 1.425, 1.43, 1.435, 1.44, 1.445, 1.45, 1.455, 1.46, 1.465, 1.47, 1.475, 1.48, 1.485, 1.49, 1.495, 1.5, 1.505, 1.51, 1.515, 1.52, 1.525, 1.53, 1.535, 1.54, 1.545, 1.55, 1.555, 1.56, 1.565, 1.57, 1.575, 1.58, 1.585, 1.59, 1.595, 1.6, 1.605, 1.61, 1.615, 1.62, 1.625, 1.63, 1.635, 1.64, 1.645, 1.65, 1.655, 1.66, 1.665, 1.67, 1.675, 1.68, 1.685, 1.69, 1.695, 1.7, 1.705, 1.71, 1.715, 1.72, 1.725, 1.73, 1.735, 1.74, 1.745, 1.75, 1.755, 1.76, 1.765, 1.77, 1.775, 1.78, 1.785, 1.79, 1.795, 1.8, 1.805, 1.81, 1.815, 1.82, 1.825, 1.83, 1.835, 1.84, 1.845, 1.85, 1.855, 1.86, 1.865, 1.87, 1.875, 1.88, 1.885, 1.89, 1.895, 1.9, 1.905, 1.91, 1.915, 1.92, 1.925, 1.93, 1.935, 1.94, 1.945, 1.95, 1.955, 1.96, 1.965, 1.97, 1.975, 1.98, 1.985, 1.99, 1.995, 2.0, 2.005, 2.01, 2.015, 2.02, 2.025, 2.03, 2.035, 2.04, 2.045, 2.05, 2.055, 2.06, 2.065, 2.07, 2.075, 2.08, 2.085, 2.09, 2.095, 2.1, 2.105, 2.11, 2.115, 2.12, 2.125, 2.13, 2.135, 2.14, 2.145, 2.15, 2.155, 2.16, 2.165, 2.17, 2.175, 2.18, 2.185, 2.19, 2.195, 2.2, 2.205, 2.21, 2.215, 2.22, 2.225, 2.23, 2.235, 2.24, 2.245, 2.25, 2.255, 2.26, 2.265, 2.27, 2.275, 2.28, 2.285, 2.29, 2.295, 2.3, 2.305, 2.31, 2.315, 2.32, 2.325, 2.33, 2.335, 2.34, 2.345, 2.35, 2.355, 2.36, 2.365, 2.37, 2.375, 2.38, 2.385, 2.39, 2.395, 2.4, 2.405, 2.41, 2.415, 2.42, 2.425, 2.43, 2.435, 2.44, 2.445, 2.45, 2.455, 2.46, 2.465, 2.47, 2.475, 2.48, 2.485, 2.49, 2.495, 2.5, 2.505, 2.51, 2.515, 2.52, 2.525, 2.53, 2.535, 2.54, 2.545, 2.55, 2.555, 2.56, 2.565, 2.57, 2.575, 2.58, 2.585, 2.59, 2.595, 2.6, 2.605, 2.61, 2.615, 2.62, 2.625, 2.63, 2.635, 2.64, 2.645, 2.65, 2.655, 2.66, 2.665, 2.67, 2.675, 2.68, 2.685, 2.69, 2.695, 2.7, 2.705, 2.71, 2.715, 2.72, 2.725, 2.73, 2.735, 2.74, 2.745, 2.75, 2.755, 2.76, 2.765, 2.77, 2.775, 2.78, 2.785, 2.79, 2.795, 2.8, 2.805, 2.81, 2.815, 2.82, 2.825, 2.83, 2.835, 2.84, 2.845, 2.85, 2.855, 2.86, 2.865, 2.87, 2.875, 2.88, 2.885, 2.89, 2.895, 2.9, 2.905, 2.91, 2.915, 2.92, 2.925, 2.93, 2.935, 2.94, 2.945, 2.95, 2.955, 2.96, 2.965, 2.97, 2.975, 2.98, 2.985, 2.99, 2.995, 3.0, 3.005, 3.01, 3.015, 3.02, 3.025, 3.03, 3.035, 3.04, 3.045, 3.05, 3.055, 3.06, 3.065, 3.07, 3.075, 3.08, 3.085, 3.09, 3.095, 3.1, 3.105, 3.11, 3.115, 3.12, 3.125, 3.13, 3.135, 3.14, 3.145, 3.15, 3.155, 3.16, 3.165, 3.17, 3.175, 3.18, 3.185, 3.19, 3.195, 3.2, 3.205, 3.21, 3.215, 3.22, 3.225, 3.23, 3.235, 3.24, 3.245, 3.25, 3.255, 3.26, 3.265, 3.27, 3.275, 3.28, 3.285, 3.29, 3.295, 3.3, 3.305, 3.31, 3.315, 3.32, 3.325, 3.33, 3.335, 3.34, 3.345, 3.35, 3.355, 3.36, 3.365, 3.37, 3.375, 3.38, 3.385, 3.39, 3.395, 3.4, 3.405, 3.41, 3.415, 3.42, 3.425, 3.43, 3.435, 3.44, 3.445, 3.45, 3.455, 3.46, 3.465, 3.47, 3.475, 3.48, 3.485, 3.49, 3.495, 3.5, 3.505, 3.51, 3.515, 3.52, 3.525, 3.53, 3.535, 3.54, 3.545, 3.55, 3.555, 3.56, 3.565, 3.57, 3.575, 3.58, 3.585, 3.59, 3.595, 3.6, 3.605, 3.61, 3.615, 3.62, 3.625, 3.63, 3.635, 3.64, 3.645, 3.65, 3.655, 3.66, 3.665, 3.67, 3.675, 3.68, 3.685, 3.69, 3.695, 3.7, 3.705, 3.71, 3.715, 3.72, 3.725, 3.73, 3.735, 3.74, 3.745, 3.75, 3.755, 3.76, 3.765, 3.77, 3.775, 3.78, 3.785, 3.79, 3.795, 3.8, 3.805, 3.81, 3.815, 3.82, 3.825, 3.83, 3.835, 3.84, 3.845, 3.85, 3.855, 3.86, 3.865, 3.87, 3.875, 3.88, 3.885, 3.89, 3.895, 3.9, 3.905, 3.91, 3.915, 3.92, 3.925, 3.93, 3.935, 3.94, 3.945, 3.95, 3.955, 3.96, 3.965, 3.97, 3.975, 3.98, 3.985, 3.99, 3.995, 4.0, 4.005, 4.01, 4.015, 4.02, 4.025, 4.03, 4.035, 4.04, 4.045, 4.05, 4.055, 4.06, 4.065, 4.07, 4.075, 4.08, 4.085, 4.09, 4.095, 4.1, 4.105, 4.11, 4.115, 4.12, 4.125, 4.13, 4.135, 4.14, 4.145, 4.15, 4.155, 4.16, 4.165, 4.17, 4.175, 4.18, 4.185, 4.19, 4.195, 4.2, 4.205, 4.21, 4.215, 4.22, 4.225, 4.23, 4.235, 4.24, 4.245, 4.25, 4.255, 4.26, 4.265, 4.27, 4.275, 4.28, 4.285, 4.29, 4.295, 4.3, 4.305, 4.31, 4.315, 4.32, 4.325, 4.33, 4.335, 4.34, 4.345, 4.35, 4.355, 4.36, 4.365, 4.37, 4.375, 4.38, 4.385, 4.39, 4.395, 4.4, 4.405, 4.41, 4.415, 4.42, 4.425, 4.43, 4.435, 4.44, 4.445, 4.45, 4.455, 4.46, 4.465, 4.47, 4.475, 4.48, 4.485, 4.49, 4.495, 4.5, 4.505, 4.51, 4.515, 4.52, 4.525, 4.53, 4.535, 4.54, 4.545, 4.55, 4.555, 4.56, 4.565, 4.57, 4.575, 4.58, 4.585, 4.59, 4.595, 4.6, 4.605, 4.61, 4.615, 4.62, 4.625, 4.63, 4.635, 4.64, 4.645, 4.65, 4.655, 4.66, 4.665, 4.67, 4.675, 4.68, 4.685, 4.69, 4.695, 4.7, 4.705, 4.71, 4.715, 4.72, 4.725, 4.73, 4.735, 4.74, 4.745, 4.75, 4.755, 4.76, 4.765, 4.77, 4.775, 4.78, 4.785, 4.79, 4.795, 4.8, 4.805, 4.81, 4.815, 4.82, 4.825, 4.83, 4.835, 4.84, 4.845, 4.85, 4.855, 4.86, 4.865, 4.87, 4.875, 4.88, 4.885, 4.89, 4.895, 4.9, 4.905, 4.91, 4.915, 4.92, 4.925, 4.93, 4.935, 4.94, 4.945, 4.95, 4.955, 4.96, 4.965, 4.97, 4.975, 4.98, 4.985, 4.99, 4.995, 5.0, 5.005, 5.01, 5.015, 5.02, 5.025, 5.03, 5.035, 5.04, 5.045, 5.05, 5.055, 5.06, 5.065, 5.07, 5.075, 5.08, 5.085, 5.09, 5.095, 5.1, 5.105, 5.11, 5.115, 5.12, 5.125, 5.13, 5.135, 5.14, 5.145, 5.15, 5.155, 5.16, 5.165, 5.17, 5.175, 5.18, 5.185, 5.19, 5.195, 5.2, 5.205, 5.21, 5.215, 5.22, 5.225, 5.23, 5.235, 5.24, 5.245, 5.25, 5.255, 5.26, 5.265, 5.27, 5.275, 5.28, 5.285, 5.29, 5.295, 5.3, 5.305, 5.31, 5.315, 5.32, 5.325, 5.33, 5.335, 5.34, 5.345, 5.35, 5.355, 5.36, 5.365, 5.37, 5.375, 5.38, 5.385, 5.39, 5.395, 5.4, 5.405, 5.41, 5.415, 5.42, 5.425, 5.43, 5.435, 5.44, 5.445, 5.45, 5.455, 5.46, 5.465, 5.47, 5.475, 5.48, 5.485, 5.49, 5.495, 5.5, 5.505, 5.51, 5.515, 5.52, 5.525, 5.53, 5.535, 5.54, 5.545, 5.55, 5.555, 5.56, 5.565, 5.57, 5.575, 5.58, 5.585, 5.59, 5.595, 5.6, 5.605, 5.61, 5.615, 5.62, 5.625, 5.63, 5.635, 5.64, 5.645, 5.65, 5.655, 5.66, 5.665, 5.67, 5.675, 5.68, 5.685, 5.69, 5.695, 5.7, 5.705, 5.71, 5.715, 5.72, 5.725, 5.73, 5.735, 5.74, 5.745, 5.75, 5.755, 5.76, 5.765, 5.77, 5.775, 5.78, 5.785, 5.79, 5.795, 5.8, 5.805, 5.81, 5.815, 5.82, 5.825, 5.83, 5.835, 5.84, 5.845, 5.85, 5.855, 5.86, 5.865, 5.87, 5.875, 5.88, 5.885, 5.89, 5.895, 5.9, 5.905, 5.91, 5.915, 5.92, 5.925, 5.93, 5.935, 5.94, 5.945, 5.95, 5.955, 5.96, 5.965, 5.97, 5.975, 5.98, 5.985, 5.99, 5.995, 6.0, 6.005, 6.01, 6.015, 6.02, 6.025, 6.03, 6.035, 6.04, 6.045, 6.05, 6.055, 6.06, 6.065, 6.07, 6.075, 6.08, 6.085, 6.09, 6.095, 6.1, 6.105, 6.11, 6.115, 6.12, 6.125, 6.13, 6.135, 6.14, 6.145, 6.15, 6.155, 6.16, 6.165, 6.17, 6.175, 6.18, 6.185, 6.19, 6.195, 6.2, 6.205, 6.21, 6.215, 6.22, 6.225, 6.23, 6.235, 6.24, 6.245, 6.25, 6.255, 6.26, 6.265, 6.27, 6.275, 6.28, 6.285, 6.29, 6.295, 6.3, 6.305, 6.31, 6.315, 6.32, 6.325, 6.33, 6.335, 6.34, 6.345, 6.35, 6.355, 6.36, 6.365, 6.37, 6.375, 6.38, 6.385, 6.39, 6.395, 6.4, 6.405, 6.41, 6.415, 6.42, 6.425, 6.43, 6.435, 6.44, 6.445, 6.45, 6.455, 6.46, 6.465, 6.47, 6.475, 6.48, 6.485, 6.49, 6.495, 6.5, 6.505, 6.51, 6.515, 6.52, 6.525, 6.53, 6.535, 6.54, 6.545, 6.55, 6.555, 6.56, 6.565, 6.57, 6.575, 6.58, 6.585, 6.59, 6.595, 6.6, 6.605, 6.61, 6.615, 6.62, 6.625, 6.63, 6.635, 6.64, 6.645, 6.65, 6.655, 6.66, 6.665, 6.67, 6.675, 6.68, 6.685, 6.69, 6.695, 6.7, 6.705, 6.71, 6.715, 6.72, 6.725, 6.73, 6.735, 6.74, 6.745, 6.75, 6.755, 6.76, 6.765, 6.77, 6.775, 6.78, 6.785, 6.79, 6.795, 6.8, 6.805, 6.81, 6.815, 6.82, 6.825, 6.83, 6.835, 6.84, 6.845, 6.85, 6.855, 6.86, 6.865, 6.87, 6.875, 6.88, 6.885, 6.89, 6.895, 6.9, 6.905, 6.91, 6.915, 6.92, 6.925, 6.93, 6.935, 6.94, 6.945, 6.95, 6.955, 6.96, 6.965, 6.97, 6.975, 6.98, 6.985, 6.99, 6.995, 7.0, 7.005, 7.01, 7.015, 7.02, 7.025, 7.03, 7.035, 7.04, 7.045, 7.05, 7.055, 7.06, 7.065, 7.07, 7.075, 7.08, 7.085, 7.09, 7.095, 7.1, 7.105, 7.11, 7.115, 7.12, 7.125, 7.13, 7.135, 7.14, 7.145, 7.15, 7.155, 7.16, 7.165, 7.17, 7.175, 7.18, 7.185, 7.19, 7.195, 7.2, 7.205, 7.21, 7.215, 7.22, 7.225, 7.23, 7.235, 7.24, 7.245, 7.25, 7.255, 7.26, 7.265, 7.27, 7.275, 7.28, 7.285, 7.29, 7.295, 7.3, 7.305, 7.31, 7.315, 7.32, 7.325, 7.33, 7.335, 7.34, 7.345, 7.35, 7.355, 7.36, 7.365, 7.37, 7.375, 7.38, 7.385, 7.39, 7.395, 7.4, 7.405, 7.41, 7.415, 7.42, 7.425, 7.43, 7.435, 7.44, 7.445, 7.45, 7.455, 7.46, 7.465, 7.47, 7.475, 7.48, 7.485, 7.49, 7.495, 7.5, 7.505, 7.51, 7.515, 7.52, 7.525, 7.53, 7.535, 7.54, 7.545, 7.55, 7.555, 7.56, 7.565, 7.57, 7.575, 7.58, 7.585, 7.59, 7.595, 7.6, 7.605, 7.61, 7.615, 7.62, 7.625, 7.63, 7.635, 7.64, 7.645, 7.65, 7.655, 7.66, 7.665, 7.67, 7.675, 7.68, 7.685, 7.69, 7.695, 7.7, 7.705, 7.71, 7.715, 7.72, 7.725, 7.73, 7.735, 7.74, 7.745, 7.75, 7.755, 7.76, 7.765, 7.77, 7.775, 7.78, 7.785, 7.79, 7.795, 7.8, 7.805, 7.81, 7.815, 7.82, 7.825, 7.83, 7.835, 7.84, 7.845, 7.85, 7.855, 7.86, 7.865, 7.87, 7.875, 7.88, 7.885, 7.89, 7.895, 7.9, 7.905, 7.91, 7.915, 7.92, 7.925, 7.93, 7.935, 7.94, 7.945, 7.95, 7.955, 7.96, 7.965, 7.97, 7.975, 7.98, 7.985, 7.99, 7.995, 8.0, 8.005, 8.01, 8.015, 8.02, 8.025, 8.03, 8.035, 8.04, 8.045, 8.05, 8.055, 8.06, 8.065, 8.07, 8.075, 8.08, 8.085, 8.09, 8.095, 8.1, 8.105, 8.11, 8.115, 8.12, 8.125, 8.13, 8.135, 8.14, 8.145, 8.15, 8.155, 8.16, 8.165, 8.17, 8.175, 8.18, 8.185, 8.19, 8.195, 8.2, 8.205, 8.21, 8.215, 8.22, 8.225, 8.23, 8.235, 8.24, 8.245, 8.25, 8.255, 8.26, 8.265, 8.27, 8.275, 8.28, 8.285, 8.29, 8.295, 8.3, 8.305, 8.31, 8.315, 8.32, 8.325, 8.33, 8.335, 8.34, 8.345, 8.35, 8.355, 8.36, 8.365, 8.37, 8.375, 8.38, 8.385, 8.39, 8.395, 8.4, 8.405, 8.41, 8.415, 8.42, 8.425, 8.43, 8.435, 8.44, 8.445, 8.45, 8.455, 8.46, 8.465, 8.47, 8.475, 8.48, 8.485, 8.49, 8.495, 8.5, 8.505, 8.51, 8.515, 8.52, 8.525, 8.53, 8.535, 8.54, 8.545, 8.55, 8.555, 8.56, 8.565, 8.57, 8.575, 8.58, 8.585, 8.59, 8.595, 8.6, 8.605, 8.61, 8.615, 8.62, 8.625, 8.63, 8.635, 8.64, 8.645, 8.65, 8.655, 8.66, 8.665, 8.67, 8.675, 8.68, 8.685, 8.69, 8.695, 8.7, 8.705, 8.71, 8.715, 8.72, 8.725, 8.73, 8.735, 8.74, 8.745, 8.75, 8.755, 8.76, 8.765, 8.77, 8.775, 8.78, 8.785, 8.79, 8.795, 8.8, 8.805, 8.81, 8.815, 8.82, 8.825, 8.83, 8.835, 8.84, 8.845, 8.85, 8.855, 8.86, 8.865, 8.87, 8.875, 8.88, 8.885, 8.89, 8.895, 8.9, 8.905, 8.91, 8.915, 8.92, 8.925, 8.93, 8.935, 8.94, 8.945, 8.95, 8.955, 8.96, 8.965, 8.97, 8.975, 8.98, 8.985, 8.99, 8.995, 9.0, 9.005, 9.01, 9.015, 9.02, 9.02