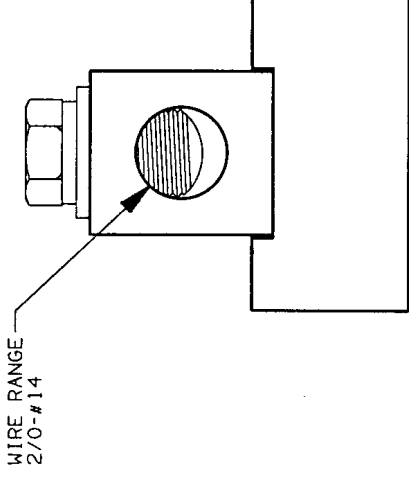
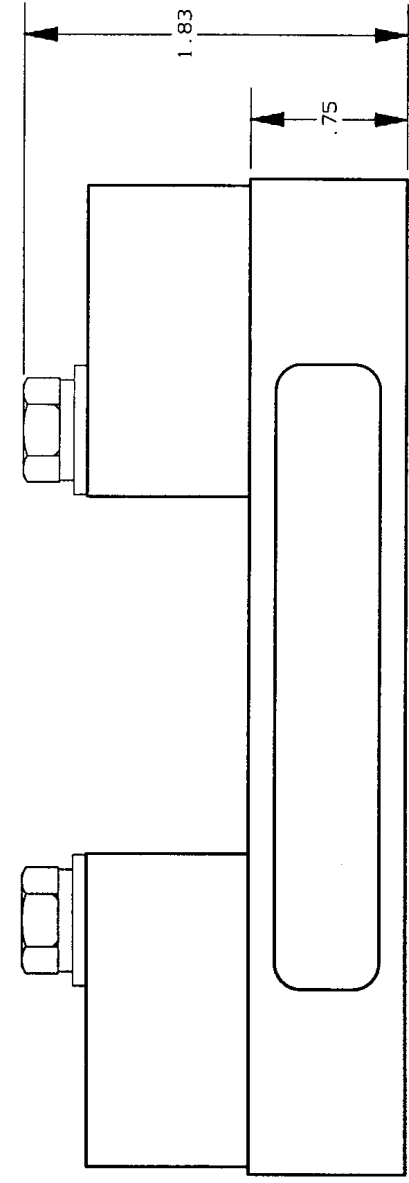
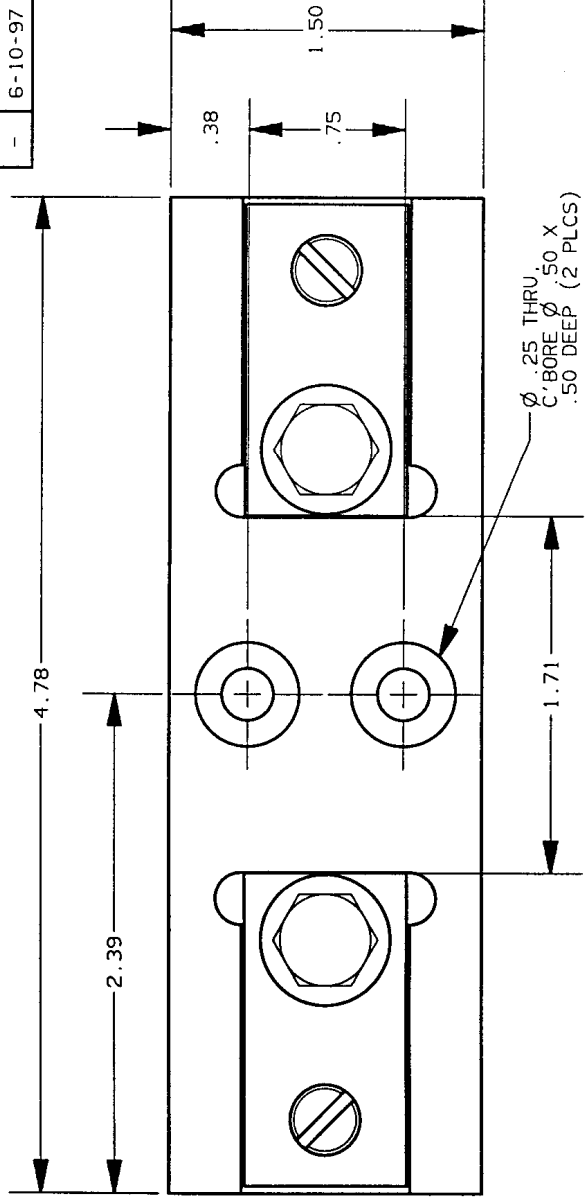


REV	DATE	ECO	BY	CK	APP
-	6-10-97	N/A			
DESCRIPTION			INIT RELEASE		
			DBG N/A N/A		



WIRE RANGE
2/0-#14

NOTES:

- UNLESS OTHERWISE SPECIFIED MATERIAL COMPOSITION AND RATING: BASE - THERMOSET 150°C RTI CONNECTOR-COPPER, TIN PLATED.

P/N	FUSE CLASS	RMS SYM RATING	TORQUE (IN-LBS)	CONNECTOR TYPE	WIRE °C	UL FILE NO.	UL GUIDE NO.	CSA REPORT NO.
61051T	T	200K	50	BOX	75	CU ONLY E52283	IZLT	LR32169

GOULD 374 MERRIMAC STREET
NEWBURYPORT, MA 01950

PRODUCT MANAGER
SIGN: *Michael J. DeLuca*
DATE: 6-17-97

DESIGN ENGINEER
SIGN: *Stacy M. Boy*
DATE: 6/11/97

FUSE, BLOCK 600V-100A
CLASS T
1 POLE

OUTLINE DIMENSIONS
NOT TO BE USED FOR PRODUCTION

700268