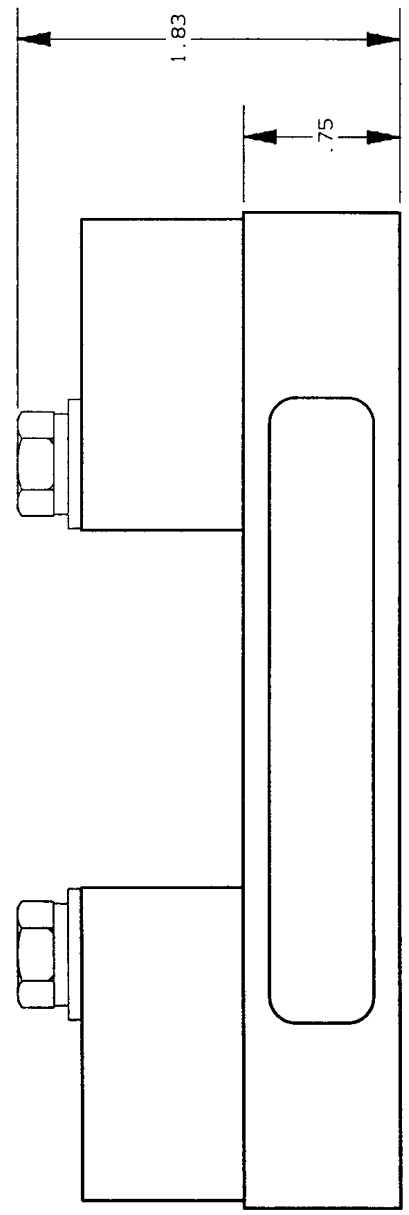
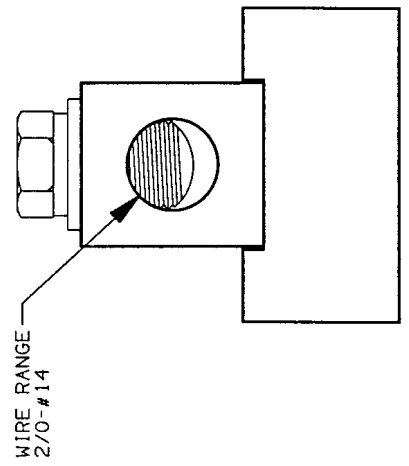
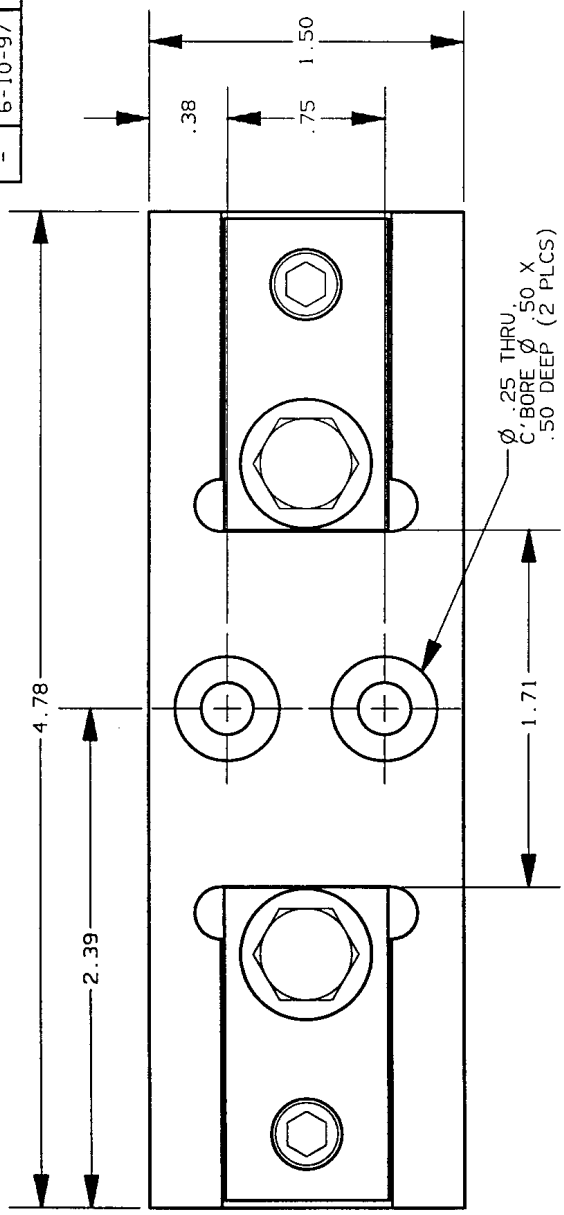


CONTROL NO. 700059

REV	DATE	ECO	DESCRIPTION	BY	CK	APP
-	6-10-97	N/A	INIT RELEASE	DBG	N/A	N/A



NOTES:

- UNLESS OTHERWISE SPECIFIED MATERIAL COMPOSITION AND RATING: BASE - THERMOSET 150°C RTI CONNECTOR-ALUMINUM, TIN PLATED.

P/N	FUSE CLASS	RMS SYM RATING	TORQUE (IN-LBS)	CONNECTOR TYPE	WIRE °C	WIRE TYPE	UL FILE NO.	UL GUIDE NO.	CSA REPORT NO.
61031T	T	200K	120	BOX	75	CU-AL	E52283	IZLT	LR32169

**GOULD** 374 MERRIMAC STREET  
NEWBURYPORT, MA 01950

PRODUCT MANAGER: *Michael Fowler*  
DESIGN ENGINEER: *Steve M. Boyer*

SIGN: *Michael Fowler* DATE: 6-16-97  
SIGN: *Steve M. Boyer* DATE: 6/11/97

FUSE, BLOCK 600V-100A  
CLASS T  
1 POLE

OUTLINE DIMENSIONS  
NOT TO BE USED FOR PRODUCTION

700059