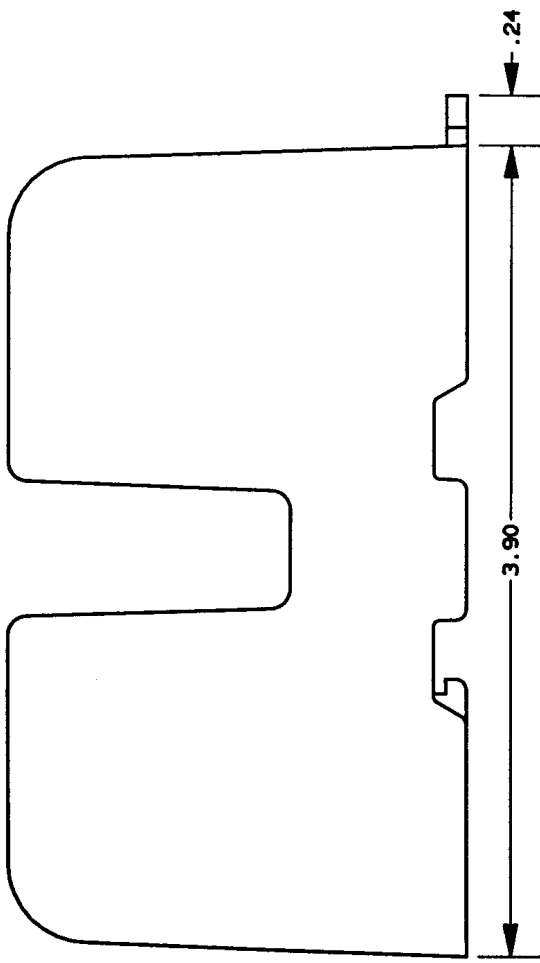
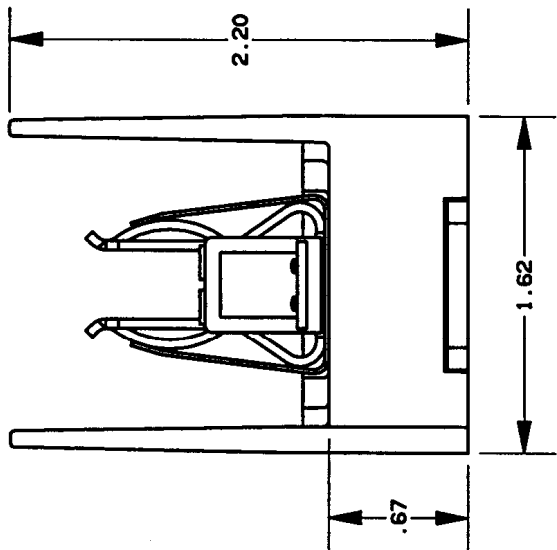
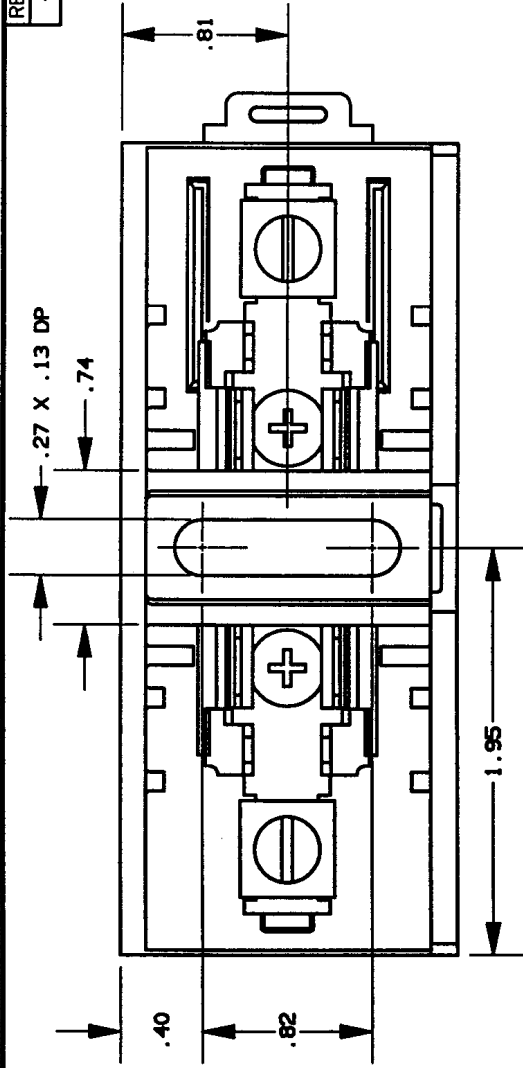


REV	DATE	ECO	DESCRIPTION	BY	CK APP
-	27AUG97	N/A	INITIAL RELEASE	PRR	N/A/N/A



NOTES:
 1. TOLERANCES ±.015 UNLESS OTHERWISE SPECIFIED.
 2. MATERIAL COMPOSITION AND RATING THERMOPLASTIC-125°C RTI.

P/N	CONN TYPE	RMS SYM RATING	TORQUE (IN-LBS)	WIRE °C	TYPE	FILE NO.	U/L	CSA REPORT NO.
60656T	CU BOX	200K	45	60/75	CU ONLY	E52283	IZLT	LR32169

GOULD
 374 MERRIMAC STREET
 NEWBURYPORT, MA 01950

PRODUCT MANAGER
 SIGN: *Nickel 2th*
 DATE: 9-15-97

FUSE BLOCK, 600V-60A, 1 POLE
 CLASS T

OUTLINE DIMENSIONS
 NOT TO BE USED FOR PRODUCTION

700068