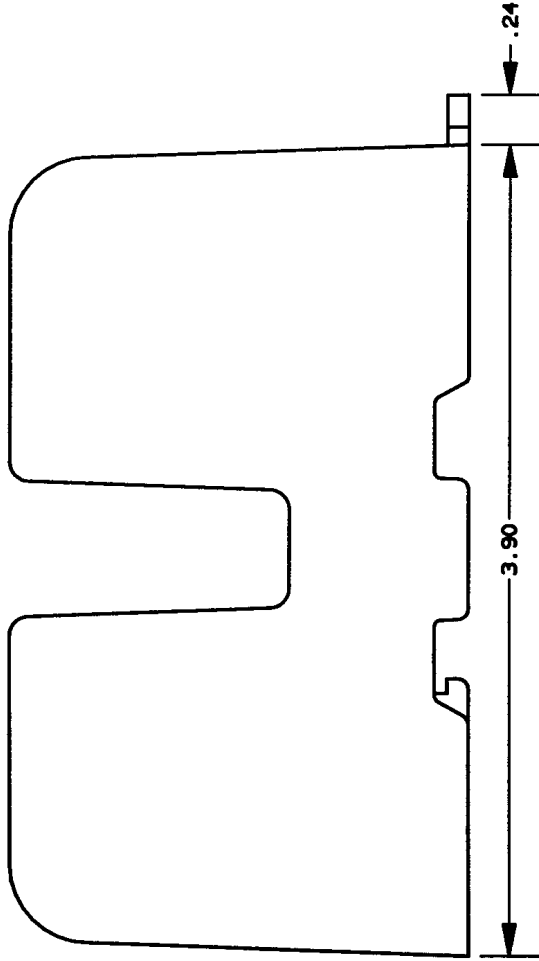
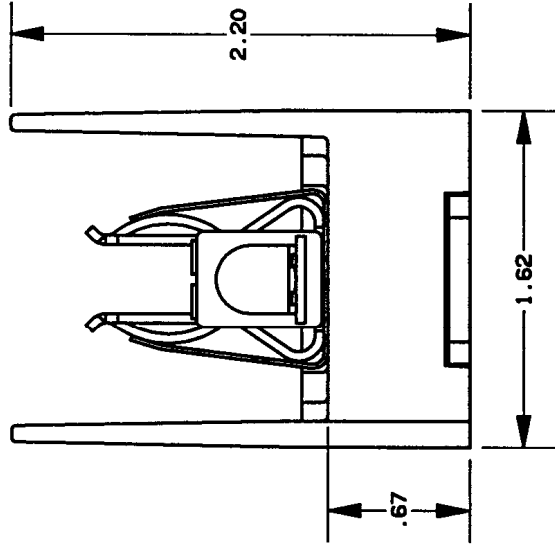
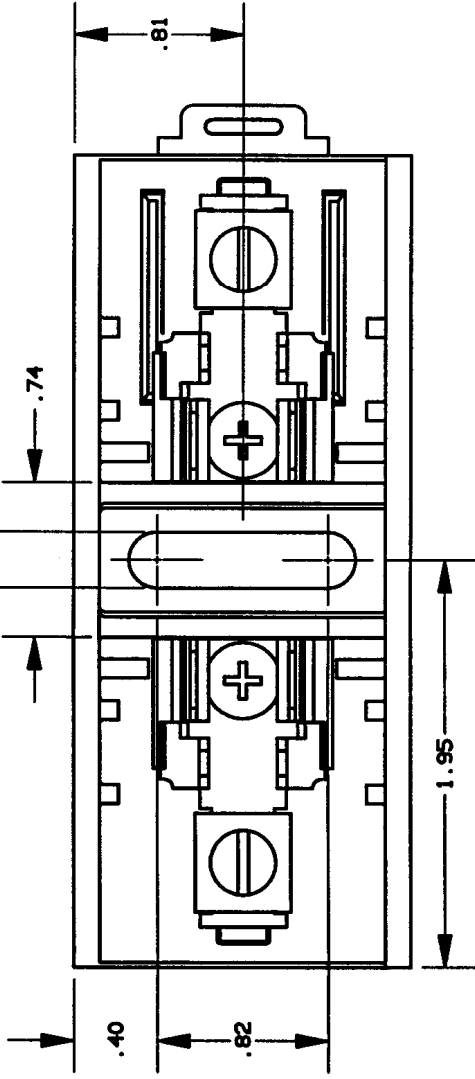


REV	DATE	ECO	DESCRIPTION	BY	CHK	APP
-	27AUG97	N/A	INITIAL RELEASE	PRR	N/A	N/A



NOTES:
 1. TOLERANCES ±.015 UNLESS OTHERWISE SPECIFIED.
 2. MATERIAL COMPOSITION AND RATING THERMOPLASTIC-125°C RTI.

P/N	CONN TYPE	RMS SYM RATING	TORQUE (IN-LBS)	WIRE	U/L	CSA
60606T	AL BOX	200K	45	60/75 CU-AL	ES2283	LR32169
					IZLT	REPORT NO.
					FILE NO.	
					GUIDE NO.	

GOULD 374 MERRIMAC STREET
 NEWBURYPORT, MA 01950

PRODUCT MANAGER: *Michael*
 DESIGN ENGINEER: *St. M.B.*
 SIGN: 9-15-97
 DATE: 9/12/97

FUSE BLOCK, 600V-60A, 1 POLE
 CLASS T

OUTLINE DIMENSIONS
 NOT TO BE USED FOR PRODUCTION

700066