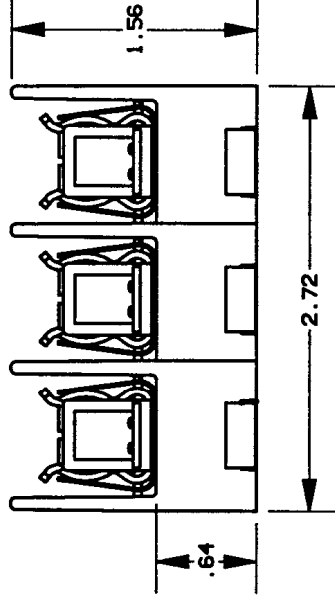
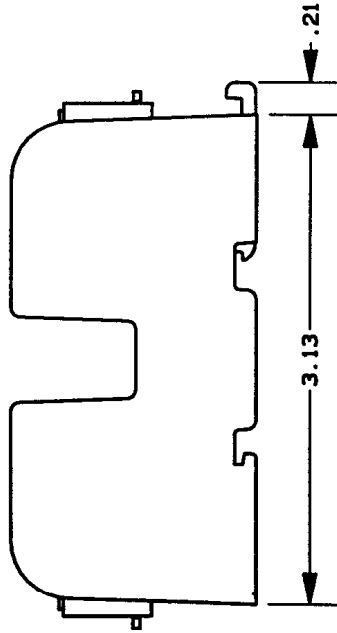
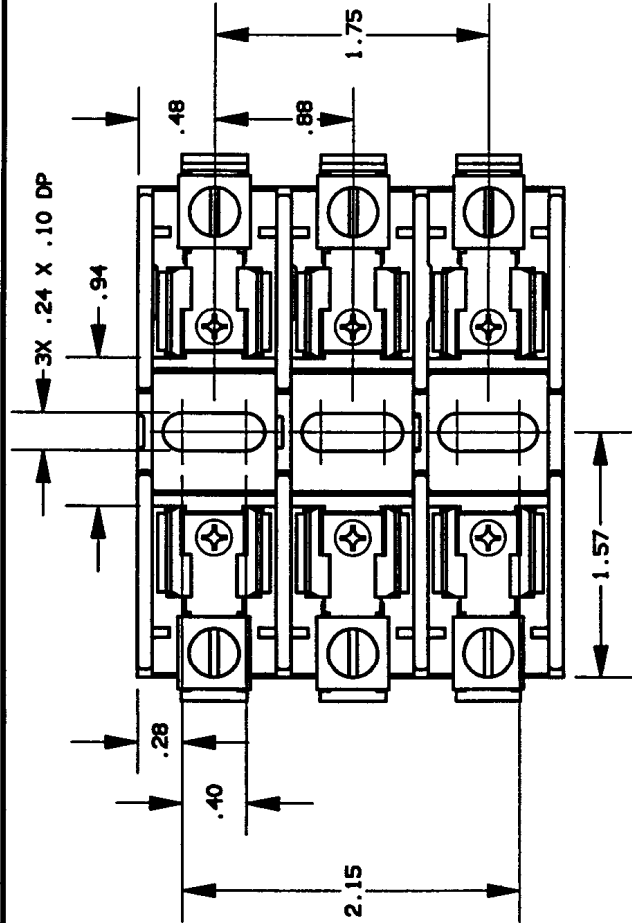


REV	DATE	ECO	DESCRIPTION	BY	CK	APP
-	27AUG97	N/A	INITIAL RELEASE	PRR	N/A	N/A



NOTES:

1. TOLERANCES \pm .015 UNLESS OTHERWISE SPECIFIED.
2. MATERIAL COMPOSITION AND RATING THERMOPLASTIC-125°C RTI.

P/N	CONN TYPE	RMS SYM RATING	TORQUE (IN-LBS)	WIRE	U/L	CSA
60358T	CU BOX	200K	35	*C	FILE NO. E52283 IZLT	REPORT NO. LR32169

GOULD 374 MERRIMAC STREET
NEWBURYPORT, MA 01950

PRODUCT MANAGER: *Nickel*
SIGN: *Nickel*
DATE: 9-15-97

DESIGN ENGINEER: *Steve M. Bony*
SIGN: *Steve M. Bony*
DATE: 9/12/97

FUSE BLOCK, 600V-30A, 3 POLE CLASS T

OUTLINE DIMENSIONS
NOT TO BE USED FOR PRODUCTION

700238