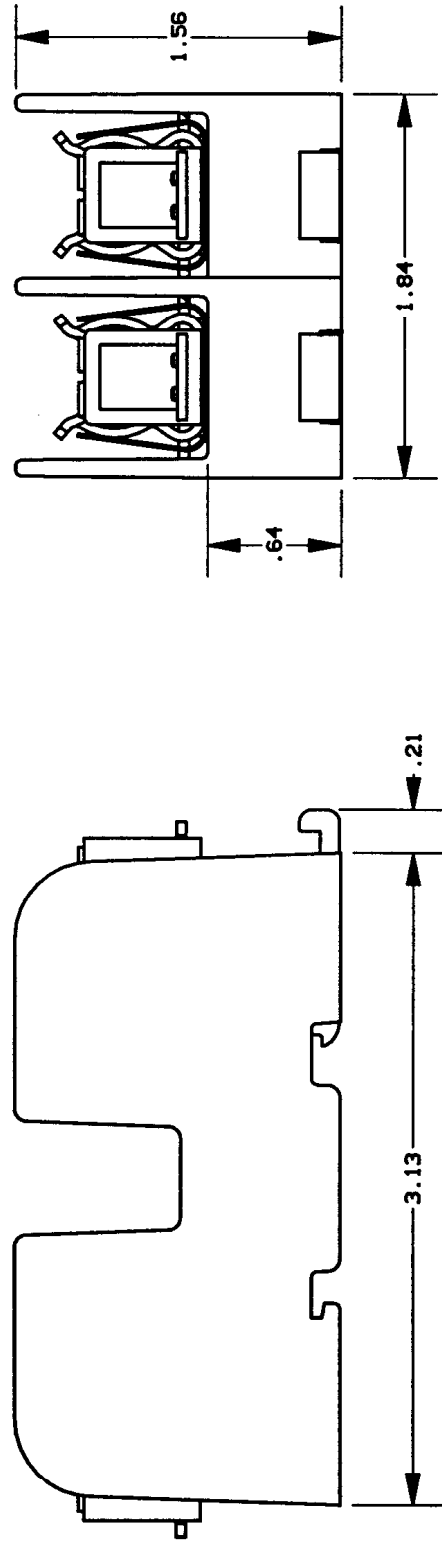
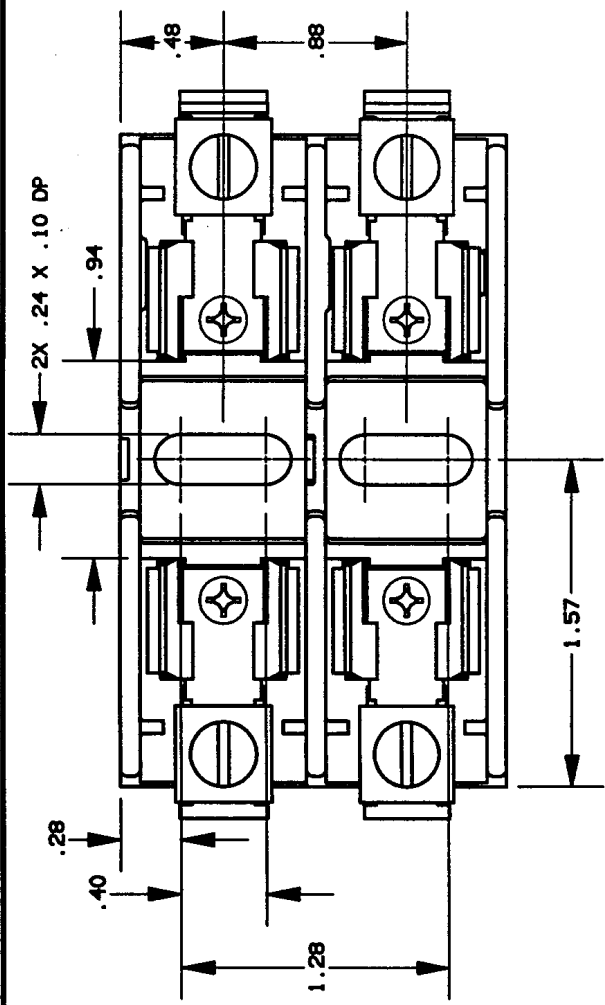


REV	DATE	ECO	DESCRIPTION	BY	CK	APP
-	27AUG97	N/A	INITIAL RELEASE	PRR	N/A	N/A



NOTES:  
 1. TOLERANCES ± .015 UNLESS OTHERWISE SPECIFIED.  
 2. MATERIAL COMPOSITION AND RATING THERMOPLASTIC-125°C RTI.

P/N	CONN TYPE	RMS SYM RATING	TORQUE (IN-LBS)	WIRE	U/L	CSA
60357T	CU BOX	200K	35	60/75 CU ONLY	ES2283	LR32169
					FILE NO.	REPORT NO.
					GUIDE NO.	
					IZLT	

**GOULD** 374 MERRIMAC STREET  
 NEWBURYPORT, MA 01950

PRODUCT MANAGER  
 SIGN: *Michael D. L...*  
 DATE: 9-15-97

FUSE BLOCK, 600V-30A, 2 POLE  
 CLASS T

OUTLINE DIMENSIONS  
 NOT TO BE USED FOR PRODUCTION

700237