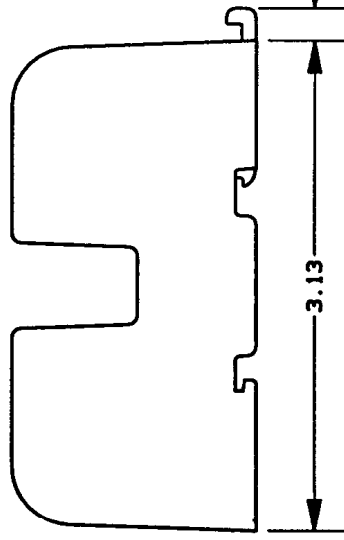
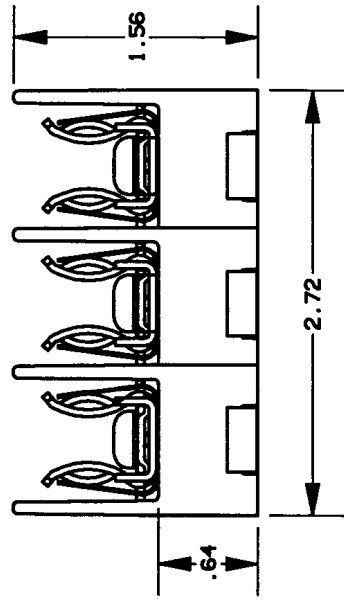
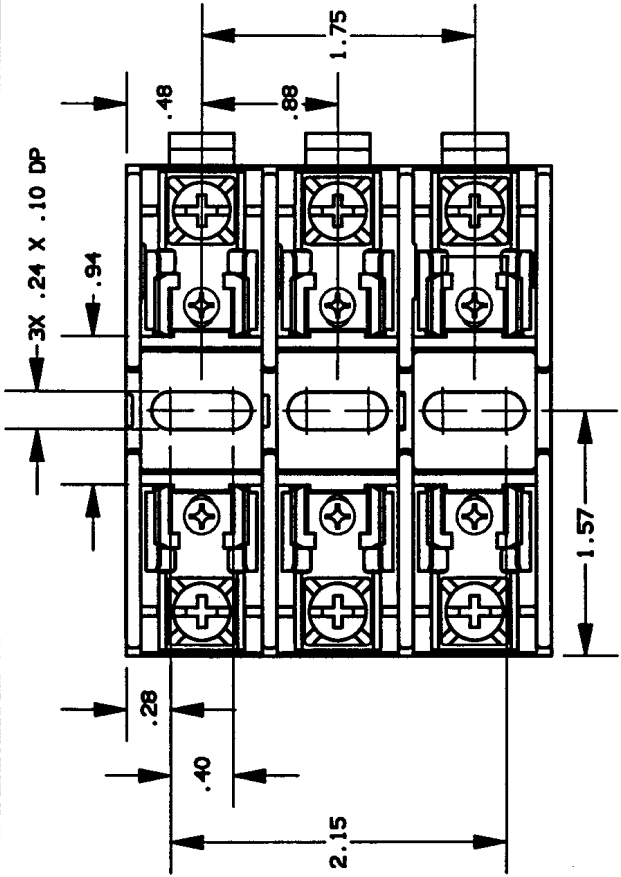


| | | | | | |
|-----|---------|-----|-----------------|-----|---------|
| REV | DATE | ECO | DESCRIPTION | BY | CK APP |
| - | 26AUG97 | N/A | INITIAL RELEASE | PRR | N/A/N/A |



NOTES:
 1. TOLERANCES \pm .015 UNLESS OTHERWISE SPECIFIED.
 2. MATERIAL COMPOSITION AND RATING THERMOPLASTIC-125°C RTI.

| | | | | | | | | | |
|--------|----------------|----------------|-----------------|-------|--------|----------|-----------|-----|------------|
| P/N | CONN TYPE | RMS SYM RATING | TORQUE (IN-LBS) | WIRE | U/L | FILE NO. | GUIDE NO. | CSA | REPORT NO. |
| | PRESSURE PLATE | | | | | | | | |
| 60328T | | 200K | 20 | 60/75 | E52283 | | | | |

GOULD 374 MERRIMAC STREET
 NEWBURYPORT, MA 01950

SIGN: *Michael T. La* DATE: 9-15-97
 DESIGN ENGINEER
 SIGN: *Stk M. Boy* DATE: 9/12/97

FUSE BLOCK, 600V-30A, 3 POLE
 CLASS T

OUTLINE DIMENSIONS
 NOT TO BE USED FOR PRODUCTION

700230