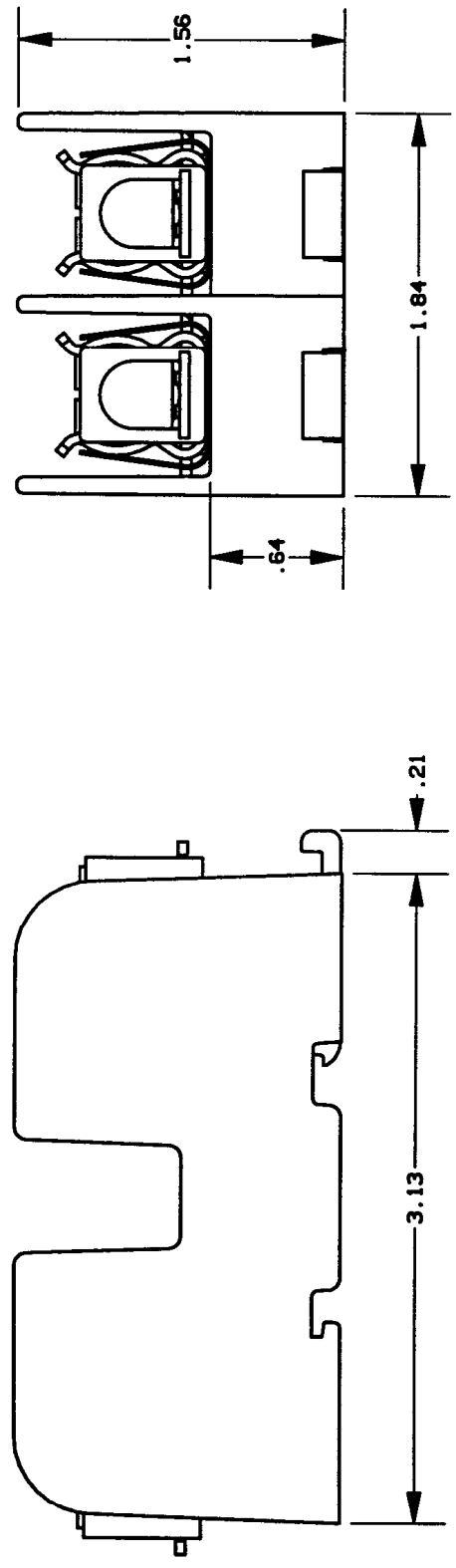
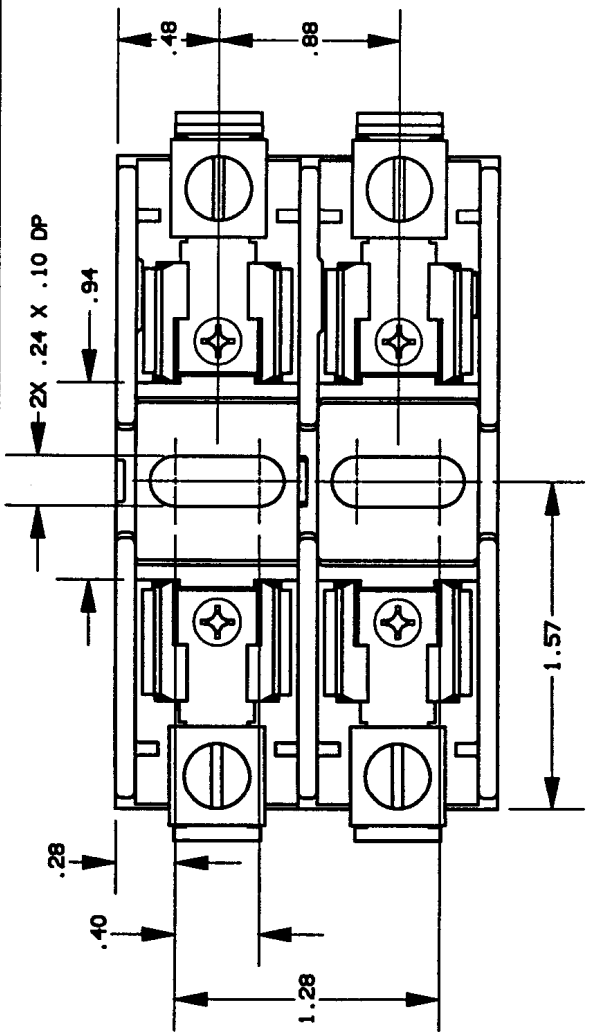


CONTROL NO. 5

REV	DATE	ECO	DESCRIPTION	BY	CK/APP
-	26AUG97	N/A	INITIAL RELEASE	PRR	N/A/N/A



NOTES:
 1. TOLERANCES \pm .015 UNLESS OTHERWISE SPECIFIED.
 2. MATERIAL COMPOSITION AND RATING THERMOPLASTIC-125°C RTI.

P/N	CONN TYPE	RMS SYM RATING	TORQUE (IN-LBS)	WIRE	U/L	CSA
60307T	AL BOX	200K	35	60/75 CU-AL	E52283 IZLT	LR32169
				TYPE	FILE NO.	REPORT NO.
				CU-AL	E52283	LR32169

GOULD 374 MERRIMAC STREET
 NEWBURYPORT, MA 01950

PRODUCT MANAGER
 SIGN: *Nicholas*
 DATE: 7-15-97

DESIGN ENGINEER
 SIGN: *St. M. G.*
 DATE: 9/12/97

FUSE BLOCK, 600V-30A, 2 POLE CLASS T

OUTLINE DIMENSIONS
 NOT TO BE USED FOR PRODUCTION

700233