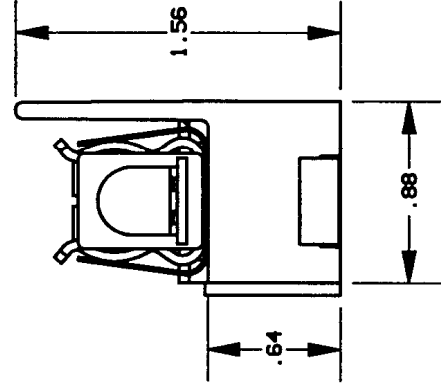
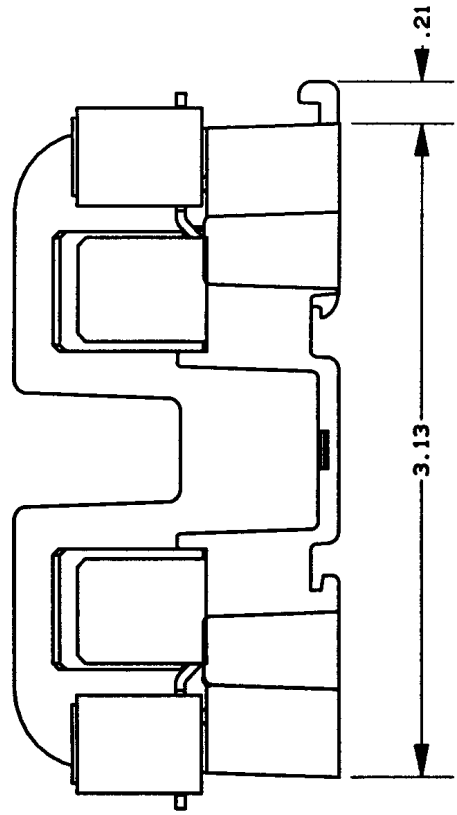
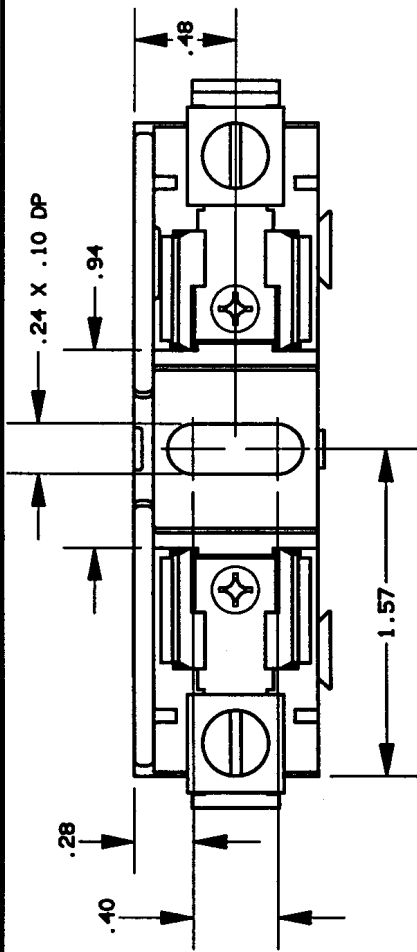


REV	DATE	ECO	DESCRIPTION	BY	CK	APP
-	26AUG97	N/A	INITIAL RELEASE	PRR	N/A	N/A



P/N	CONN TYPE	RMS SYM RATING	TORQUE (IN-LBS)	WIRE	U/L	CSA		
			*C	FILE NO.	GUIDE NO.	REPORT NO.		
60305T	AL BOX	200K	35	60/75	CU-AL	ES2283	IZLT	LR32169

NOTES:
 1. TOLERANCES ± .015 UNLESS OTHERWISE SPECIFIED.
 2. MATERIAL COMPOSITION AND RATING THERMOPLASTIC-125°C RTI.

GOULD
 374 MERRIMAC STREET
 NEWBURYPORT, MA 01950

PRODUCT MANAGER: *Michael Zih*
 DESIGN ENGINEER: *Michael B. Boy*
 SIGN: 9-15-97
 DATE: 9/12/97

FUSE BLOCK, 600V-30A, ADDER CLASS T

OUTLINE DIMENSIONS
 NOT TO BE USED FOR PRODUCTION

700231