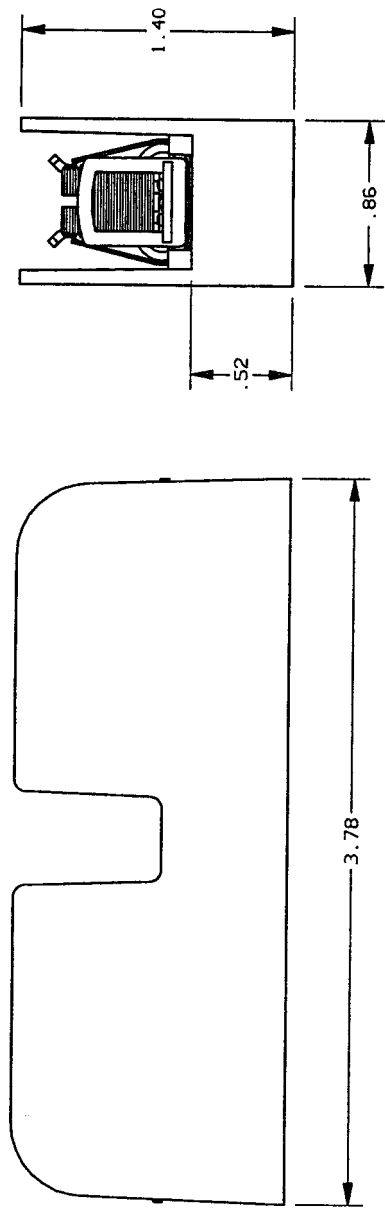
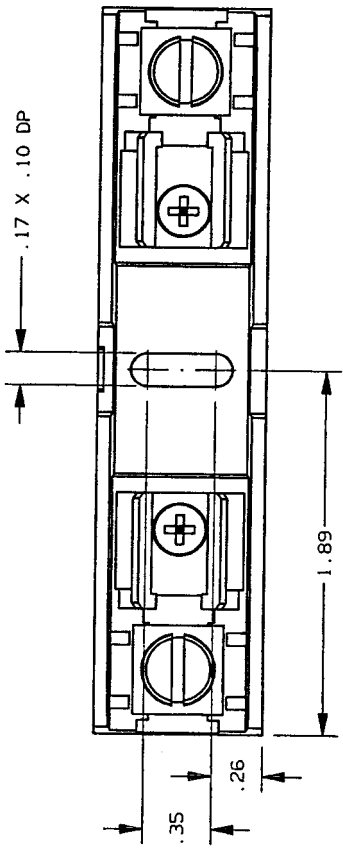


| REV | DATE | ECO | DESCRIPTION | BY | CK/APP |
|-----|---------|-----|-----------------|------------|--------|
| - | 4-15-99 | N/A | INITIAL RELEASE | LDBN/A/N/A | N/A |



NOTES:

1. MATERIAL COMPOSITION AND RATING:
BASE - THERMOPLASTIC 125°C RTI
2. ALL TOLERANCES ±.010 UNLESS OTHERWISE NOTED

| P/N | CONN TYPE | RMS SYM RATING | TORQUE (IN-LBS) | WIRE | U/L | CSA |
|--------|-----------|----------------|-----------------|---------|----------|------------|
| 40656G | Cu BOX | 100K | 45 | *C | FILE NO. | REPORT NO. |
| | | | | 60/75 | E52283 | LR32169 |
| | | | | CU ONLY | 1ZLT | |

GOULD 374 MERRIMAC STREET
NEWBURYPORT, MA 01950

PRODUCT MANAGER: *Michelle Z...*
SIGN: *Michelle Z...*
DATE: 5-10-99

DESIGN ENGINEER: *Shabir...*
SIGN: *Shabir...*
DATE: 5/10/99

OUTLINE DIMENSIONS
NOT TO BE USED FOR PRODUCTION

FUSE BLOCK, 480V-60A, 1 POLE
CLASS G

700484