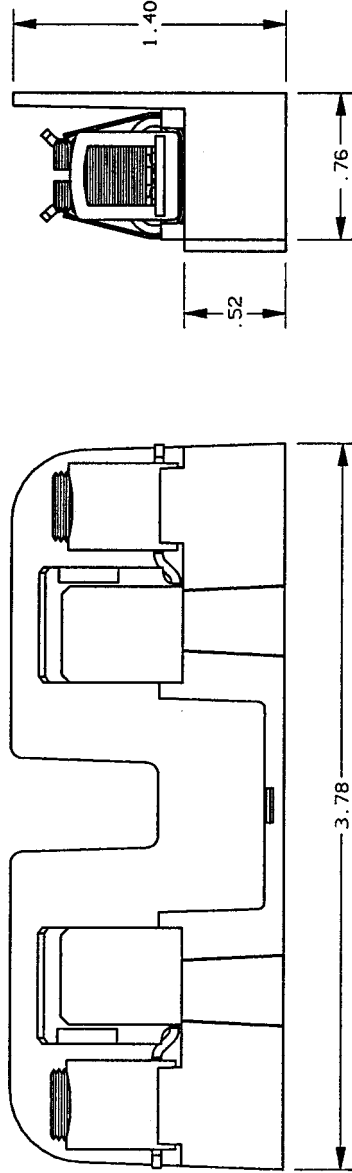
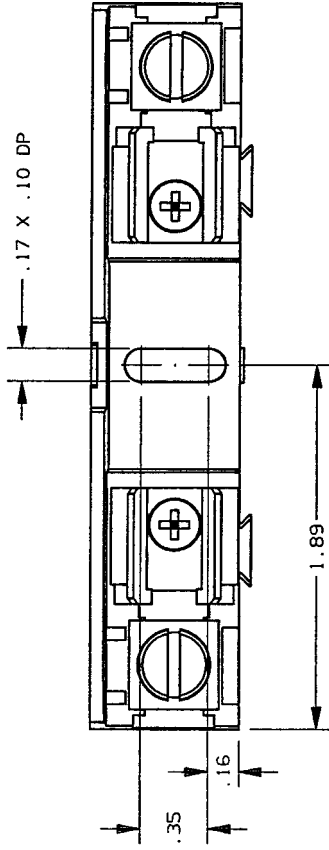


REV	DATE	ECO	DESCRIPTION	BY	CK	APP
-	4-15-99	N/A	INITIAL RELEASE	LDB	N/A	N/A



NOTES:

1. MATERIAL COMPOSITION AND RATING: BASE - THERMOPLASTIC 125°C RTI
2. ALL TOLERANCES ±.010 UNLESS OTHERWISE NOTED

P/N	CONN TYPE	RMS SYM RATING	TORQUE (IN-LBS)	WIRE	U/L	CSA
				• C	FILE NO.	REPORT NO.
40655G	Cu BOX	100K	45	60/75 CU ONLY	E52283	LR32169
					IZLT	

**GOULD**  
 374 MERRIMAC STREET  
 NEWBURYPORT, MA 01950

PRODUCT MANAGER: *Michael R. ...*  
 SIGN: *Michael R. ...*  
 DATE: 5-10-99

DESIGN ENGINEER: *Elizabeth ...*  
 SIGN: *Elizabeth ...*  
 DATE: 5/10/99

FUSE BLOCK, 480V-60A, ADDER  
 CLASS G

OUTLINE DIMENSIONS  
 NOT TO BE USED FOR PRODUCTION

700483