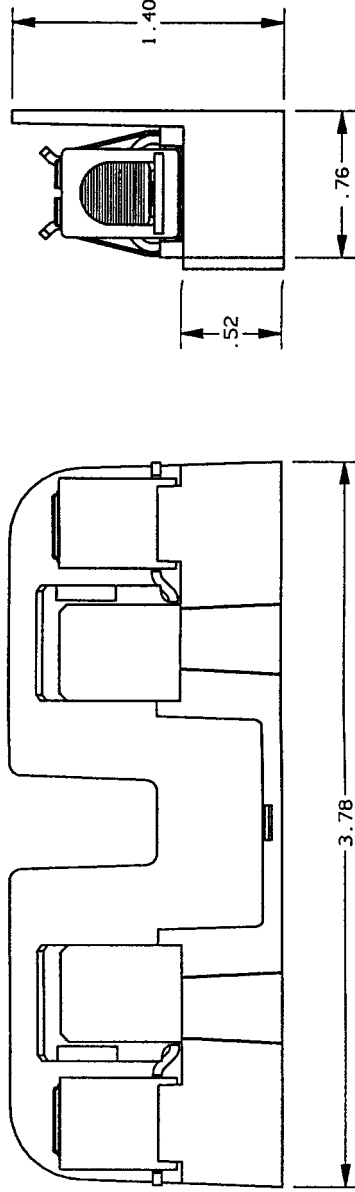
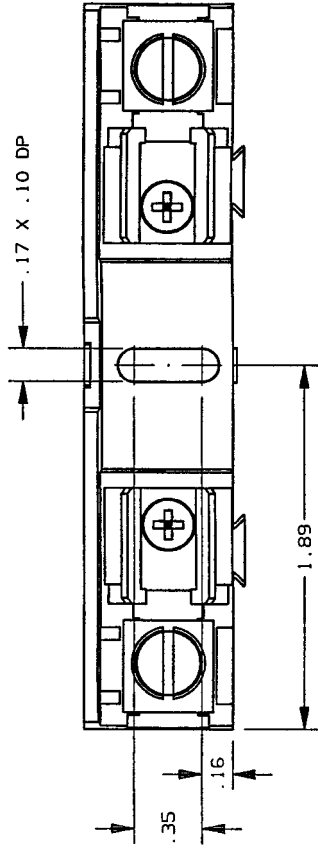


REV	DATE	ECO	DESCRIPTION	BY	CK APP
-	4-15-99	N/A	INITIAL RELEASE	LDB	N/A/N/A



NOTES:

1. MATERIAL COMPOSITION AND RATING:  
BASE - THERMOPLASTIC 125°C RTI
2. ALL TOLERANCES ± .010 UNLESS OTHERWISE NOTED

P/N	CONN TYPE	RMS SYM RATING	TORQUE (IN-LBS)	WIRE		U/L		CSA REPORT NO.
				°C	TYPE	FILE NO.	GUIDE NO.	
40605G	AL BOX	100K	45	60/75	CU-AL	E52283	1ZLT	LR32169

**GOULD**  
374 MERRIMAC STREET  
NEWBURYPORT, MA 01950

PRODUCT MANAGER  
SIGN: *Nickel*  
DATE: 5-10-99

DESIGN ENGINEER  
SIGN: *Elizabeth*  
DATE: 5/10/99

FUSE BLOCK, 480V-60A, ADDER  
CLASS G

OUTLINE DIMENSIONS  
NOT TO BE USED FOR PRODUCTION

700480