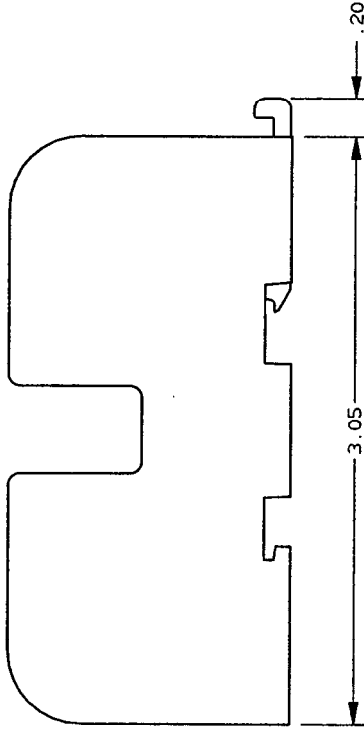
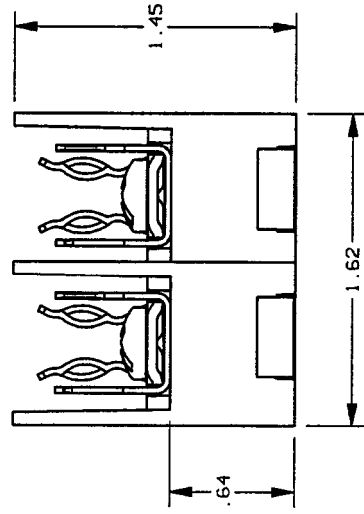
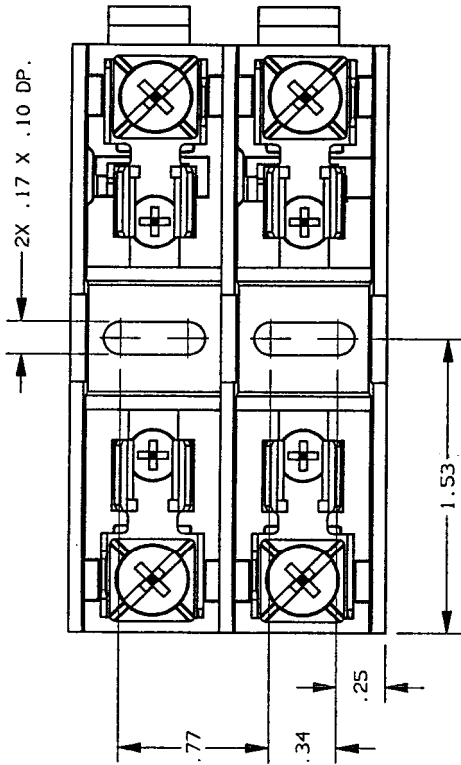


REV	DATE	ECO	DESCRIPTION	BY	CK/APP
-	4-15-99	N/A	INITIAL RELEASE	LDB	N/A



NOTES:

1. MATERIAL COMPOSITION AND RATING:
BASE - THERMOPLASTIC 125°C RTI
2. ALL TOLERANCES ±.010 UNLESS OTHERWISE NOTED

P/N	CONN TYPE	RMS SYM RATING	TORQUE (IN-LBS)	WIRE		U/L		CSA REPORT NO.
				• C	TYPE	FILE NO.	GUIDE NO.	
4032G	PRESSURE	100K	20	60/75	CU ONLY	ES2283	1ZLT	LR32169

GOULD 374 MERRIMAC STREET
NEWBURYPORT, MA 01950

PRODUCT MANAGER
SIGN: *Nicholas J. ...*
DATE: 5-10-99

DESIGN ENGINEER
SIGN: *Elizabeth P. ...*
DATE: 5/6/99

OUTLINE DIMENSIONS
NOT TO BE USED FOR PRODUCTION

FUSE BLOCK, 480V-30A, 2 POLE
CLASS G

700474