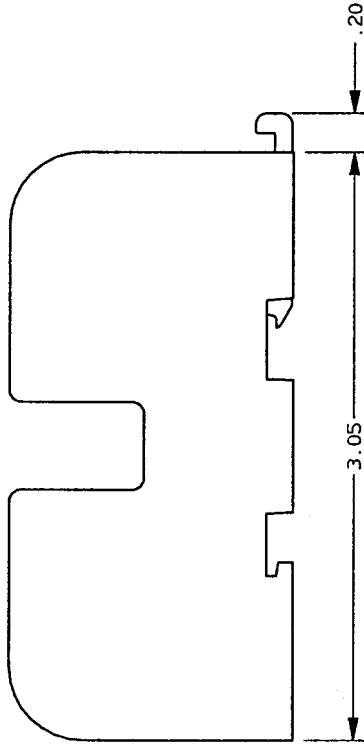
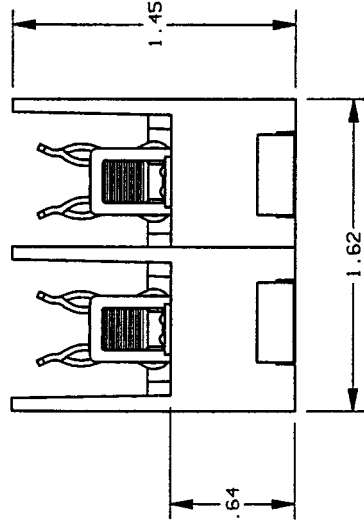
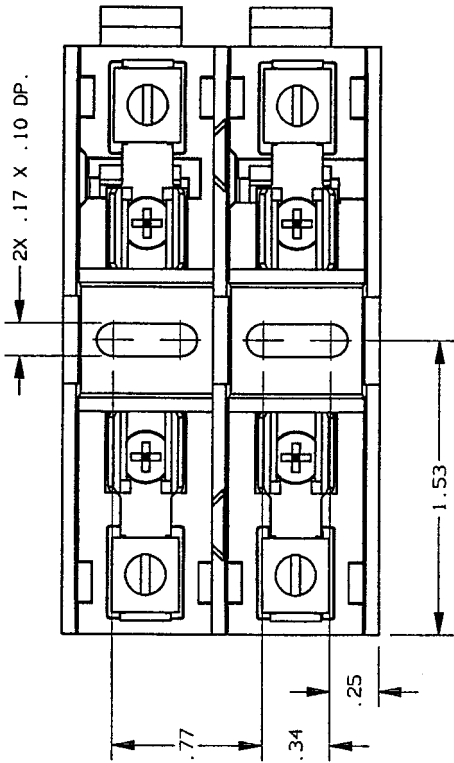


CONTROL No.: 120

REV	DATE	ECO	DESCRIPTION	BY	CK	APP
-	4-15-99	N/A	INITIAL RELEASE	LDB	N/A	N/A



NOTES:

1. MATERIAL COMPOSITION AND RATING:
BASE - THERMOPLASTIC 125°C RTI
2. ALL TOLERANCES ± .010 UNLESS OTHERWISE NOTED

P/N	CONN TYPE	RMS SYM RATING	TORQUE (IN-LBS)	WIRE		U/L		CSA REPORT NO.
				•C	TYPE	FILE NO.	GUIDE NO.	
40252G	Cu BOX	100K	35	60/75	CU ONLY	E52283	IZLT	LR32169

GOULD 374 MERRIMAC STREET
NEWBURYPORT, MA 01950

PRODUCT MANAGER: *Will 2th*
DESIGN ENGINEER: *Sh...*

SIGN: *Will 2th*
DATE: 5-10-99

FUSE BLOCK, 600V-20A, 2 POLE
CLASS G

OUTLINE DIMENSIONS
NOT TO BE USED FOR PRODUCTION

700466