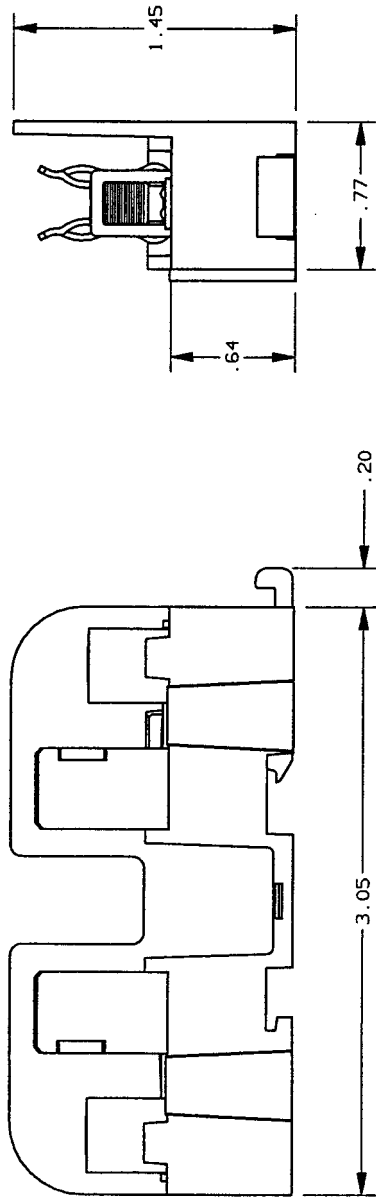
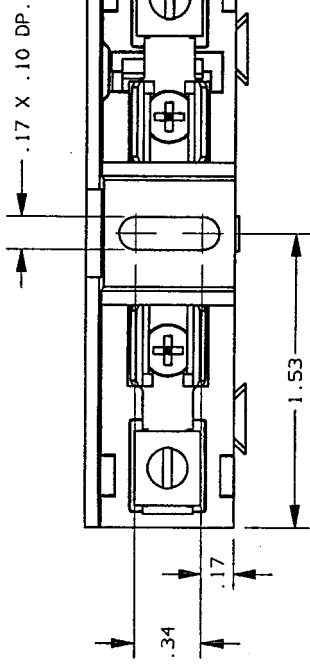


REV	DATE	ECO	DESCRIPTION	BY	CK	APP
-	4-15-99	N/A	INITIAL RELEASE			LDB/N/A/N/A



NOTES:

1. MATERIAL COMPOSITION AND RATING:  
BASE - THERMOPLASTIC 125°C RTI
2. ALL TOLERANCES ± .010 UNLESS OTHERWISE NOTED

P/N	CONN TYPE	RMS SYM RATING	TORQUE (IN-LBS)	WIRE		U/L		CSA REPORT NO.
				°C	TYPE	FILE NO.	GUIDE NO.	
40250G	Cu BOX	100K	35	60/75	CU ONLY	E52283	1ZLT	LR32169

**GOULD** 374 MERRIMAC STREET  
NEWBURYPORT, MA 01950

PRODUCT MANAGER: *Michael D. Law*  
SIGN: *Michael D. Law*  
DATE: 5-10-99

DESIGN ENGINEER: *Elizabeth H. ...*  
SIGN: *Elizabeth H. ...*  
DATE: 5/10/99

FUSE BLOCK, 600V-20A, ADDER  
CLASS G

OUTLINE DIMENSIONS  
NOT TO BE USED FOR PRODUCTION

700464