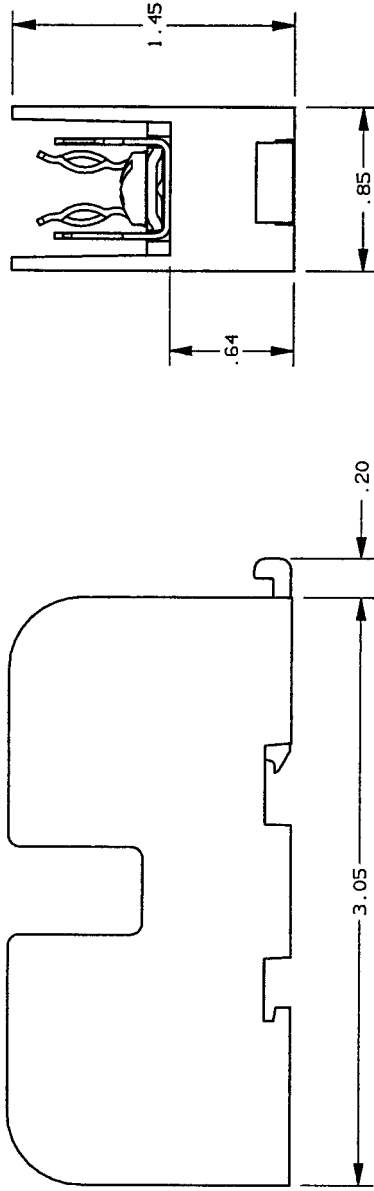
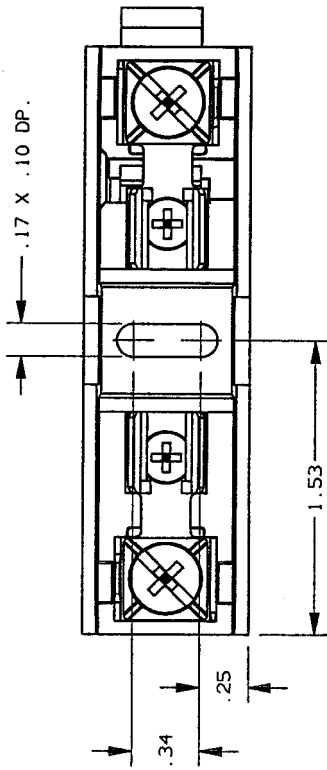


REV	DATE	ECO	DESCRIPTION	BY	CK /APP
-	4-15-99	N/A	INITIAL RELEASE	LDB	N/A



NOTES:

1. MATERIAL COMPOSITION AND RATING:  
BASE - THERMOPLASTIC 125°C RTI
2. ALL TOLERANCES ±.010 UNLESS OTHERWISE NOTED

P/N	CONN TYPE	RMS SYM RATING	TORQUE (IN-LBS)	WIRE	U/L	CSA
40221G	PRESSURE	100K	20	• C 60/75 CU ONLY	FILE NO. E52283	REPORT NO. LR32169
				TYPE	GUIDE NO. 1ZLT	

**GOULD**  
374 MERRIMAC STREET  
NEWBURYPORT, MA 01950

PRODUCT MANAGER  
SIGN: *Nickel*  
DATE: 5-10-99

DESIGN ENGINEER

SIGN: *Elizabeth A. Payne*  
DATE: 5/10/99

OUTLINE DIMENSIONS  
NOT TO BE USED FOR PRODUCTION

FUSE BLOCK, 600V-20A, 1 POLE  
CLASS G

700461