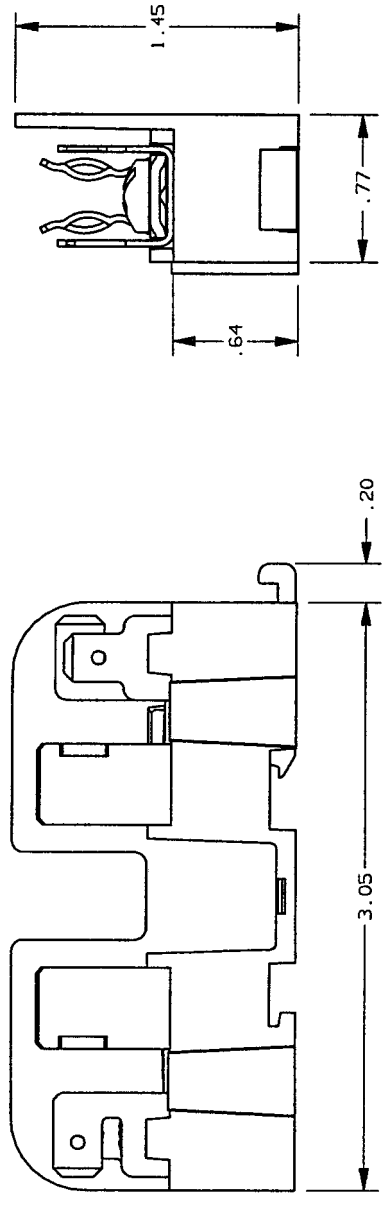
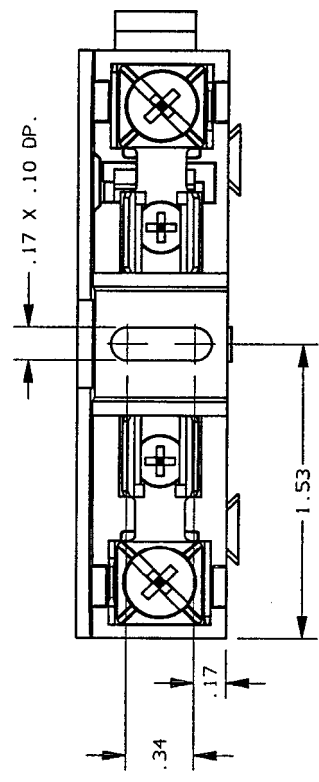


REV	DATE	ECO	DESCRIPTION	BY	CK	APP
-	4-15-99	N/A	INITIAL RELEASE	LDB	N/A	N/A



NOTES:

1. MATERIAL COMPOSITION AND RATING:  
BASE - THERMOPLASTIC 125°C RTI
2. ALL TOLERANCES ±.010 UNLESS OTHERWISE NOTED

P/N	CONN TYPE	RMS SYM RATING	TORQUE (IN-LBS)	WIRE	U/L	CSA
40220G	PRESSURE	100K	20	60/75	CU ONLY	LR32169
				•C	TYPE	REPORT NO.
					FILE NO.	LR32169
					GUIDE NO.	
					IZLT	

**GOULD**  
 374 MERRIMAC STREET  
 NEWBURYPORT, MA 01950

PRODUCT MANAGER: *Thull*  
 DESIGN ENGINEER: *Shah*  
 SIGN: *Thull* DATE: 5-10-99  
 SIGN: *Shah* DATE: 5/10/99

OUTLINE DIMENSIONS  
 NOT TO BE USED FOR PRODUCTION

FUSE BLOCK, 600V-20A, ADDER  
 CLASS G

700460