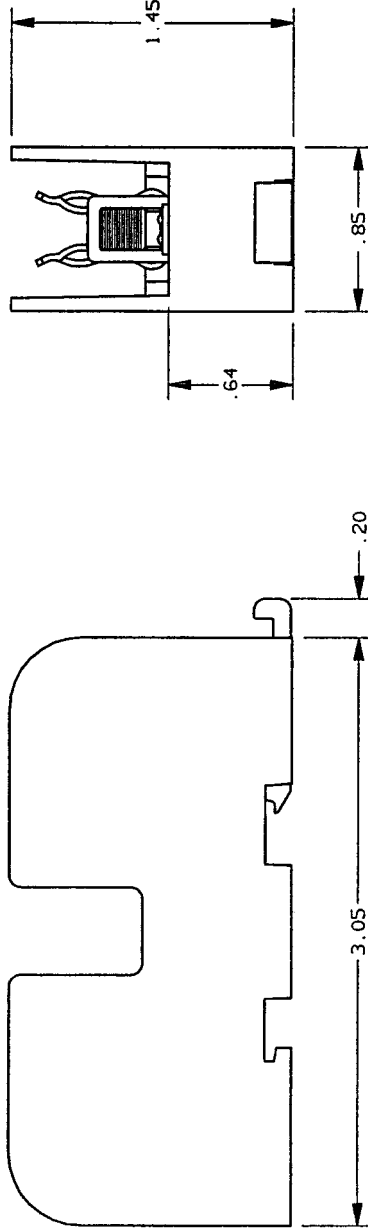
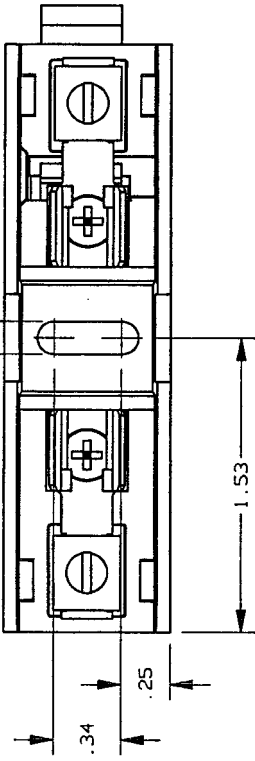


REV	DATE	ECO	DESCRIPTION	BY	CHK	APP
-	4-15-99	N/A	INITIAL RELEASE	LDB	N/A	N/A

.17 X .10 DP.



NOTES:

1. MATERIAL COMPOSITION AND RATING:
BASE - THERMOPLASTIC 125°C RTI
2. ALL TOLERANCES ±.010 UNLESS OTHERWISE NOTED

P/N	CONN TYPE	RMS SYM RATING	TORQUE (IN-LBS)	WIRE °C	TYPE	FILE NO.	U/L GUIDE NO.	CSA REPORT NO.
40151G	Cu BOX	100K	35	60/75	CU ONLY	E52283	1ZLT	LR32169



374 MERRIMAC STREET
NEWBURYPORT, MA 01950

PRODUCT MANAGER

SIGN: *Nickel*
DATE: 5-10-99

DESIGN ENGINEER

SIGN: *Shabazz*
DATE: 5/12/99

FUSE BLOCK, 600V-15A, 1 POLE
CLASS G

OUTLINE DIMENSIONS
NOT TO BE USED FOR PRODUCTION

700453