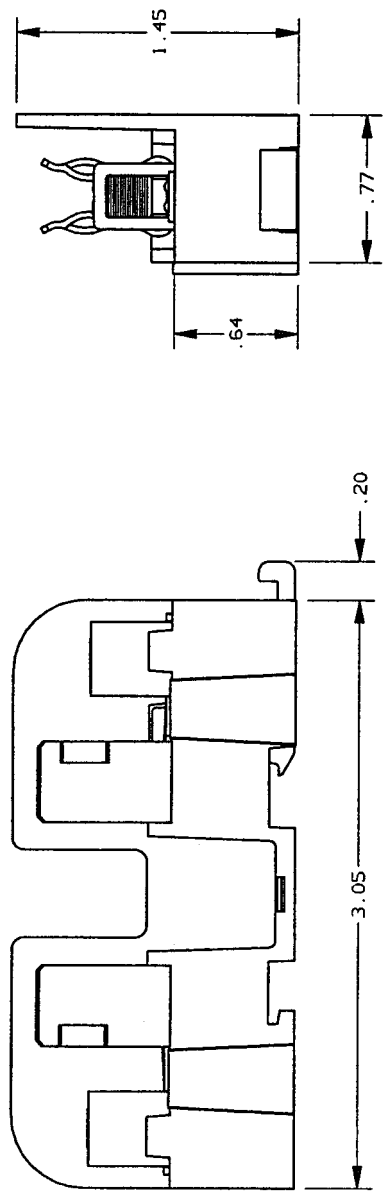
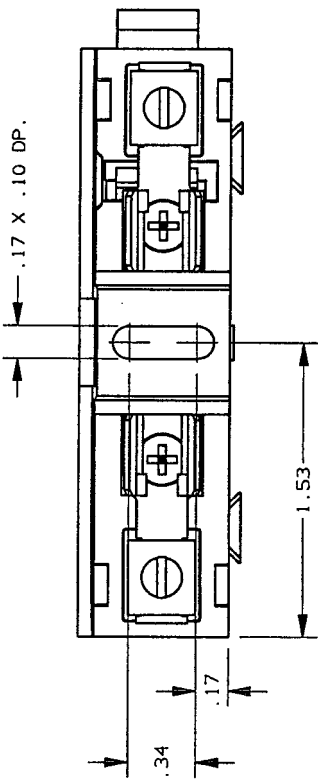


| REV | DATE    | ECO | DESCRIPTION     | BY  | CHK | APP |
|-----|---------|-----|-----------------|-----|-----|-----|
| -   | 4-15-99 | N/A | INITIAL RELEASE | LDB | N/A | N/A |



NOTES:

1. MATERIAL COMPOSITION AND RATING:  
BASE - THERMOPLASTIC 125°C RTI
2. ALL TOLERANCES ±.010 UNLESS OTHERWISE NOTED

| P/N    | CONN TYPE | RMS SYM RATING | TORQUE (IN-LBS) | WIRE  |         | U/L      |           | CSA REPORT NO. |
|--------|-----------|----------------|-----------------|-------|---------|----------|-----------|----------------|
|        |           |                |                 | •C    | TYPE    | FILE NO. | GUIDE NO. |                |
| 40150G | Cu BOX    | 100K           | 35              | 60/75 | CU ONLY | ES2283   | IZLT      | LR32169        |

**GOULD**  
 374 MERRIMAC STREET  
 NEWBURYPORT, MA 01950

PRODUCT MANAGER  
 SIGN: *Richard Z...*  
 DATE: 5-10-99

DESIGN ENGINEER  
 SIGN: *[Signature]*  
 DATE: 5/10/99

OUTLINE DIMENSIONS  
 NOT TO BE USED FOR PRODUCTION

FUSE BLOCK, 600V-15A, ADDER  
 CLASS G

700452