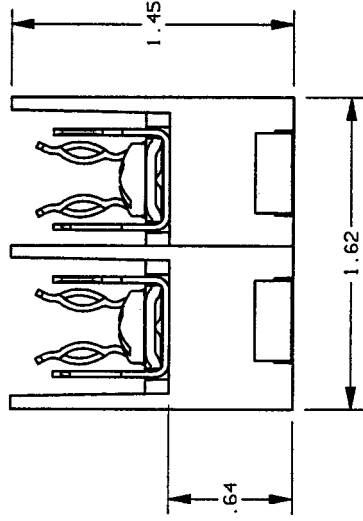
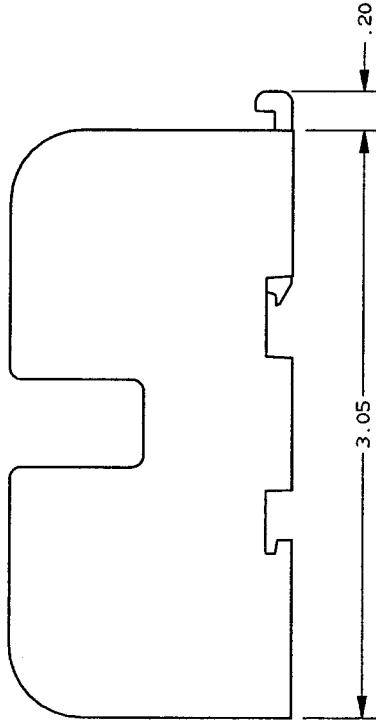
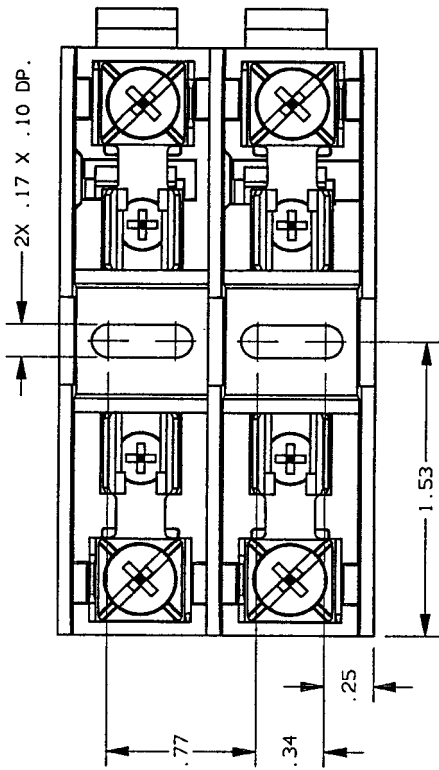


REV	DATE	ECO	DESCRIPTION	BY	CK	APP
-	4-15-99	N/A	INITIAL RELEASE	LDB	N/A	N/A



NOTES:

1. MATERIAL COMPOSITION AND RATING:  
BASE - THERMOPLASTIC 125°C RTI
2. ALL TOLERANCES ±.010 UNLESS OTHERWISE NOTED

P/N	CONN TYPE	RMS SYM RATING	TORQUE (IN-LBS)	WIRE		U/L		CSA REPORT NO.
				*C	TYPE	FILE NO.	GUIDE NO.	
401226	PRESSURE	100K	20	60/75	CU ONLY	ES2283	1ZLT	LR32169

**GOULD**  
374 MERRIMAC STREET  
NEWBURYPORT, MA 01950

PRODUCT MANAGER: *Michael DeLuca*  
SIGN: *Michael DeLuca*  
DATE: 5-10-99

DESIGN ENGINEER: *Elizabeth Ryan*  
SIGN: *Elizabeth Ryan*  
DATE: 5/10/99

OUTLINE DIMENSIONS  
NOT TO BE USED FOR PRODUCTION

FUSE BLOCK, 600V-15A, 2 POLE  
CLASS G

700450