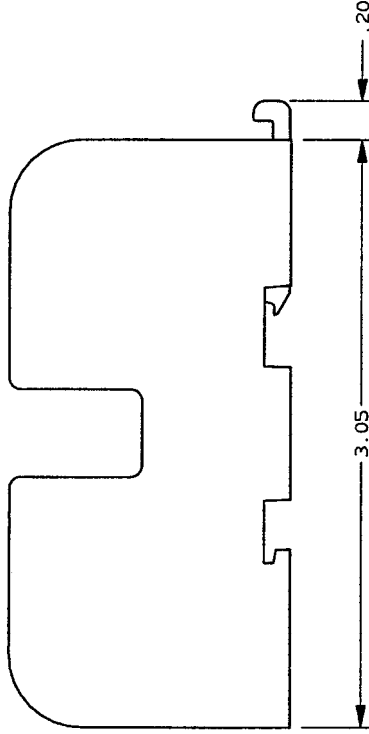
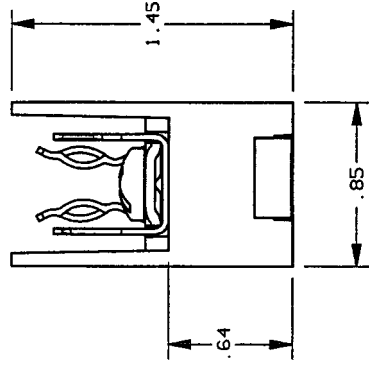
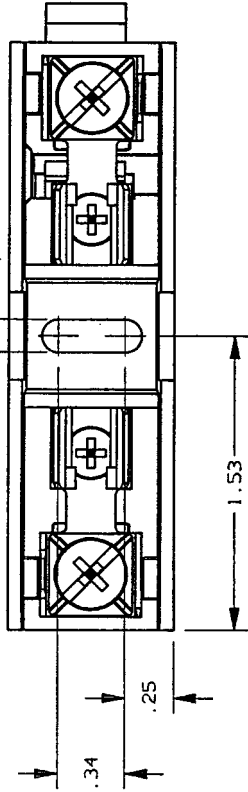


REV	DATE	ECO	DESCRIPTION	BY	CK	APP
-	4-15-99	N/A	INITIAL RELEASE	LDB	N/A	N/A

.17 X .10 DP.



NOTES:

1. MATERIAL COMPOSITION AND RATING:
BASE - THERMOPLASTIC 125°C RTI
2. ALL TOLERANCES ±.010 UNLESS OTHERWISE NOTED

P/N	RMS SYM RATING	TORQUE (IN-LBS)	WIRE		U/L	CSA
			°C	TYPE		
401216	100K	20	60/75	CU ONLY	E52283	LR32169

GOULD
 374 MERRIMAC STREET
 NEWBURYPORT, MA 01950

PRODUCT MANAGER: *Michael J. ...*
 DESIGN ENGINEER: *Elizabeth ...*
 SIGN: *Elizabeth ...* DATE: 5/10/99

OUTLINE DIMENSIONS
 NOT TO BE USED FOR PRODUCTION

FUSE BLOCK, 600V-15A, 1 POLE
 CLASS G

700449