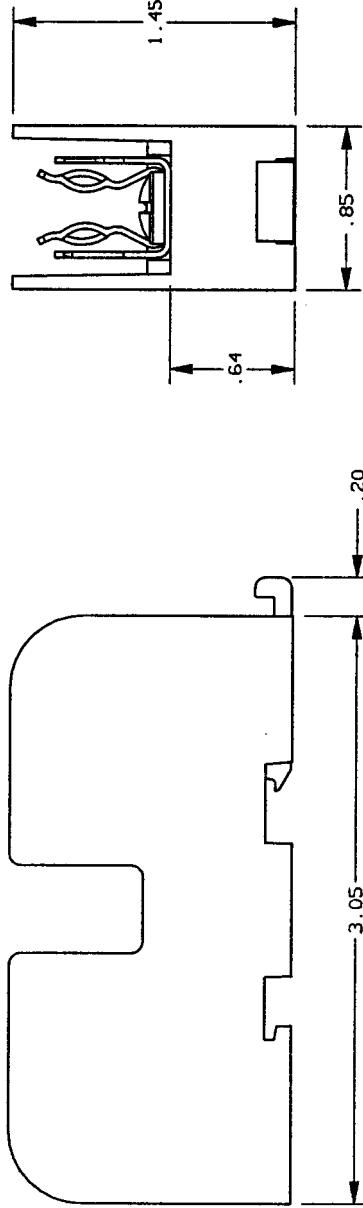
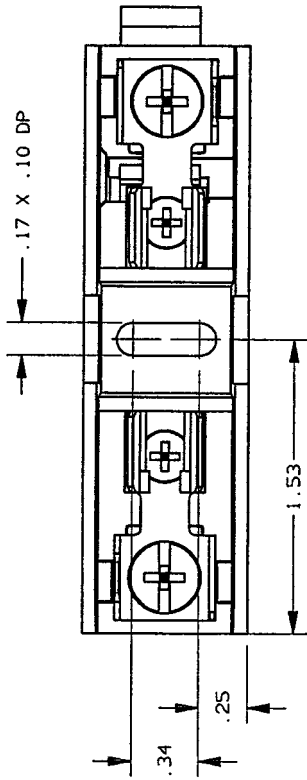


CONTROL No: 120

REV	DATE	ECO	DESCRIPTION	BY	CHK	APP
-	4-15-99	N/A	INITIAL RELEASE	LDB	N/A	N/A



NOTES:

1. MATERIAL COMPOSITION AND RATING:
BASE - THERMOPLASTIC 125°C RTI
2. ALL TOLERANCES ± .010 UNLESS OTHERWISE NOTED

P/N	CONN TYPE	RMS SYM RATING	TORQUE (IN-LBS)	WIRE	U/L	CSA
				•C	FILE NO.	REPORT NO.
40111G	SCREW	100K	20	60/75	ES2283	LR32169
				CU ONLY	IZLT	

GOULD 374 MERRIMAC STREET
NEWBURYPORT, MA 01950

PRODUCT MANAGER: *Richard A. L...*
SIGN: *Richard A. L...*
DATE: 5-10-99

DESIGN ENGINEER: *Elm...*
SIGN: *Elm...*
DATE: 5/10/99

OUTLINE DIMENSIONS
NOT TO BE USED FOR PRODUCTION

FUSE BLOCK, 600V-15A, 1 POLE
CLASS G

700445