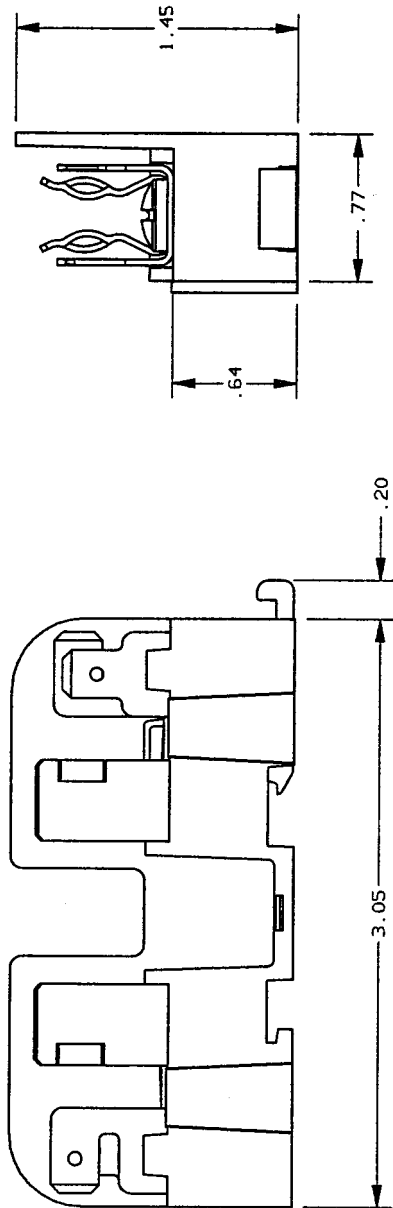
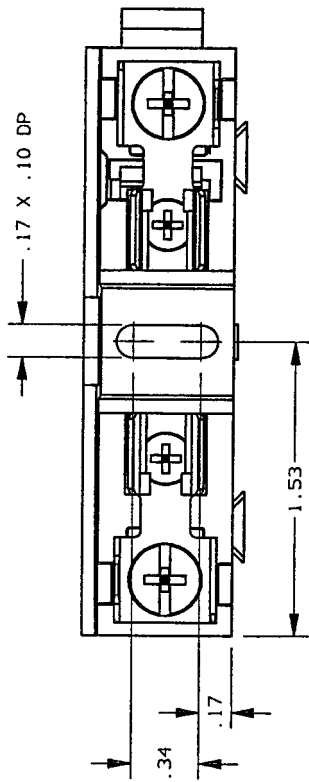


CONTROL No.: 120

REV	DATE	ECO	DESCRIPTION	BY	CHK	APP
-	4-15-99	N/A	INITIAL RELEASE	LDB	N/A	N/A



NOTES:

1. MATERIAL COMPOSITION AND RATING:
BASE - THERMOPLASTIC 125°C RTI
2. ALL TOLERANCES ±.010 UNLESS OTHERWISE NOTED

P/N	CONN TYPE	RMS SYM RATING	TORQUE (IN-LBS)	WIRE	U/L	CSA
40110G	SCREW	100K	20	60/75 CU ONLY	ES2283 IZLT	LR32169

GOULD 374 MERRIMAC STREET
NEWBURYPORT, MA 01950

PRODUCT MANAGER: *Will Zilk*
SIGN: *Elizabeth*
DATE: 5-10-99

OUTLINE DIMENSIONS
NOT TO BE USED FOR PRODUCTION

FUSE BLOCK, 600V-15A, ADDER
CLASS G

700444