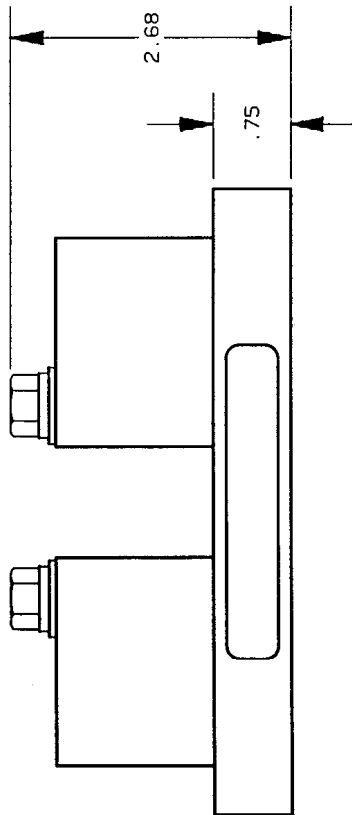
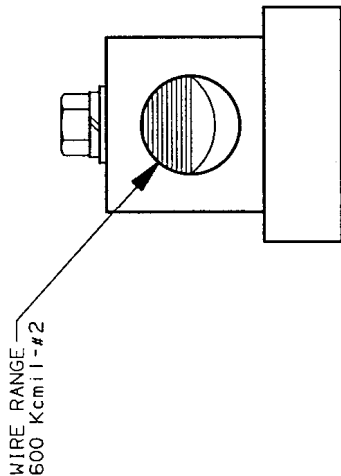
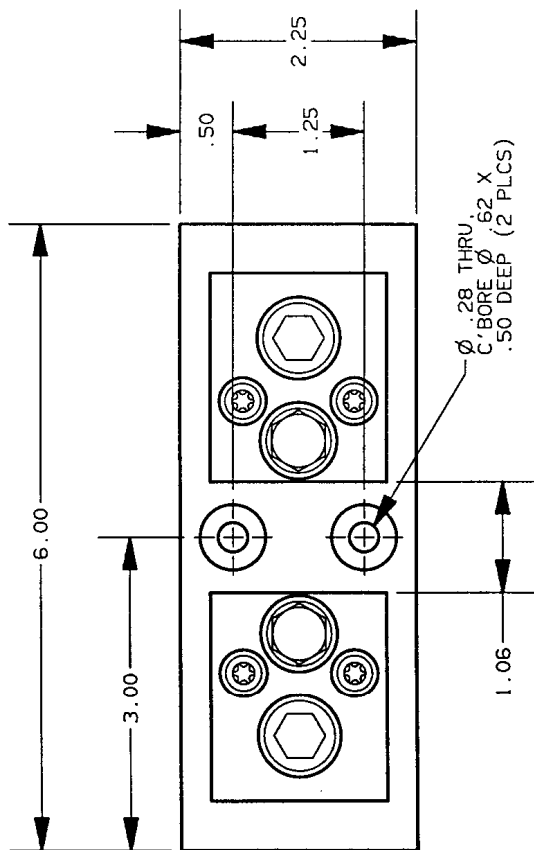


REV	DATE	ECO	DESCRIPTION	BY	CK	APP
-	6-10-97	N/A	INIT RELEASE	DBG	N/A	N/A



NOTES:

- UNLESS OTHERWISE SPECIFIED MATERIAL COMPOSITION AND RATING: BASE - THERMOSET 150°C RTI CONNECTOR-COPPER, TIN PLATED.

P/N	FUSE CLASS	RMS SYM RATING	TORQUE (IN-LBS)	CONNECTOR TYPE	WIRE	UL	CSA
34051T	T	200K	375	BOX	75	CU ONLY E52283 IZLT	LR32169

GOULD 374 MERRIMAC STREET
NEWBURYPORT, MA 01950

PRODUCT MANAGER DESIGN ENGINEER

SIGN: *Richard Rahn*

DATE: 6-13-97

SIGN: *Steve M. Berg*

DATE: 6/11/97

FUSE, BLOCK 300V-400A
CLASS T
1 POLE

OUTLINE DIMENSIONS
NOT TO BE USED FOR PRODUCTION

700259