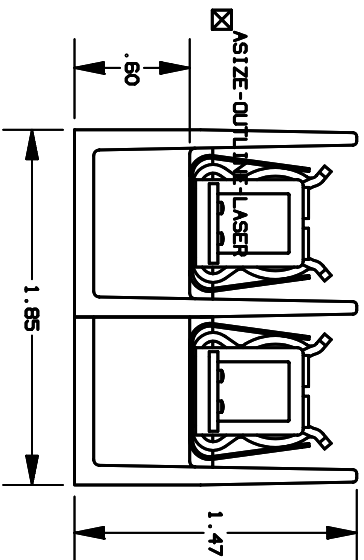
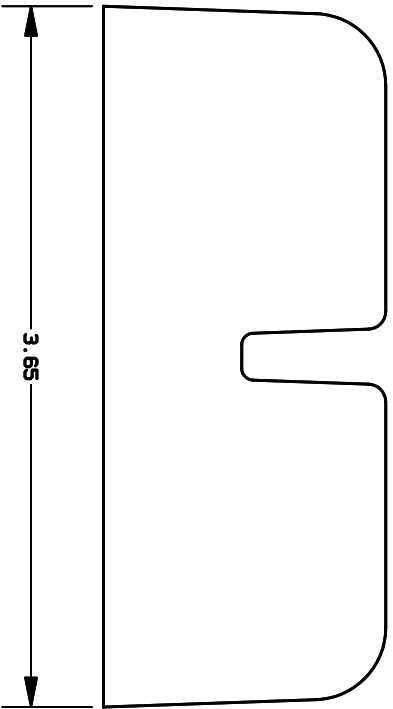
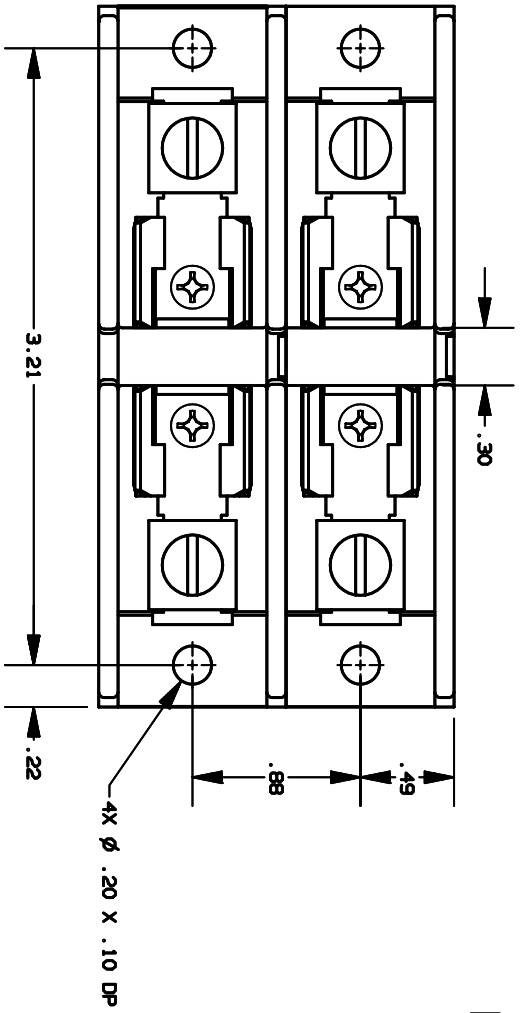


- 26AUG97 | N/A | INITIAL RELEASE | PRR|N/A|N/A



P/N	CONN TYPE	RMS SYM RATING	TORQUE (IN-LBS)	WIRE		U/L		CSA
				°C	TYPE	FILE NO.	GUIDE NO.	
30657T	CU BOX	200K	45	60/75	CU ONLY	ES2283	1ZLT	LR32169

NOTES:
 1. TOLERANCES ±.015 UNLESS OTHERWISE SPECIFIED.
 2. MATERIAL COMPOSITION AND RATING THERMOPLASTIC-125°C RTI.

FUSE BLOCK, 300V-60A, 2 POLE CLASS T

700220