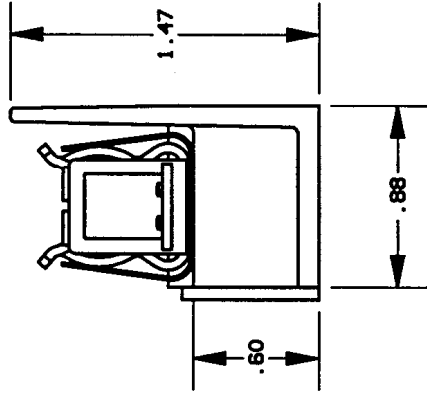
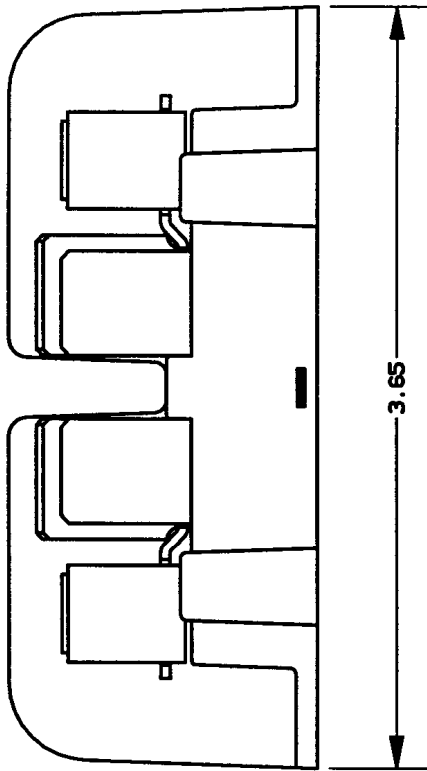
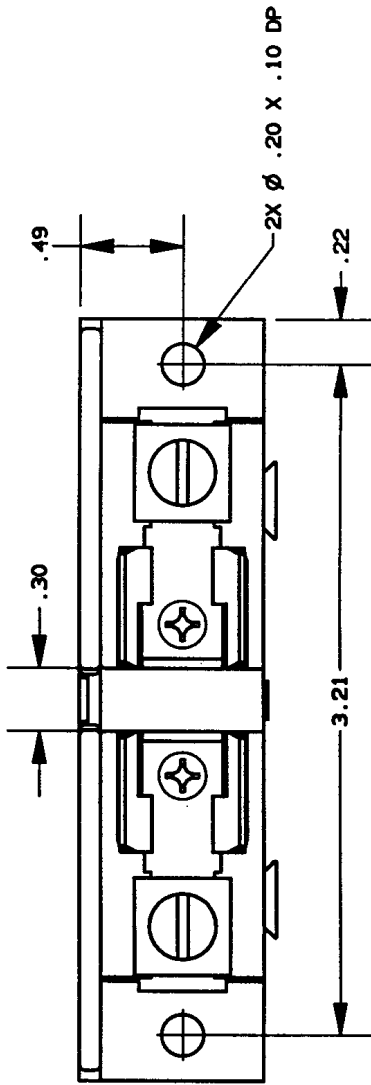


REV	DATE	ECO	DESCRIPTION	BY	CHK	APP
-	26AUG97	N/A	INITIAL RELEASE	PRR	N/A	N/A



NOTES:  
 1. TOLERANCES ± .015 UNLESS OTHERWISE SPECIFIED.  
 2. MATERIAL COMPOSITION AND RATING THERMOPLASTIC-125°C RTI.

P/N	CONN TYPE	RMS SYM RATING	TORQUE (IN-LBS)	WIRE	U/L	CSA
	CU BOX	200K	45	•C	FILE NO.	REPORT NO.
30655T	CU BOX	200K	45	60/75 CU ONLY	E52283	LR32169
					IZLT	

**GOULD** 374 MERRIMAC STREET  
 NEWBURYPORT, MA 01950

PRODUCT MANAGER  
 SIGN: *Michael J. ...*  
 DATE: 9-15-97

DESIGN ENGINEER  
 SIGN: *Steve M. ...*  
 DATE: 9/12/97

FUSE BLOCK, 300V-60A, ADDER CLASS T

OUTLINE DIMENSIONS  
 NOT TO BE USED FOR PRODUCTION

700218