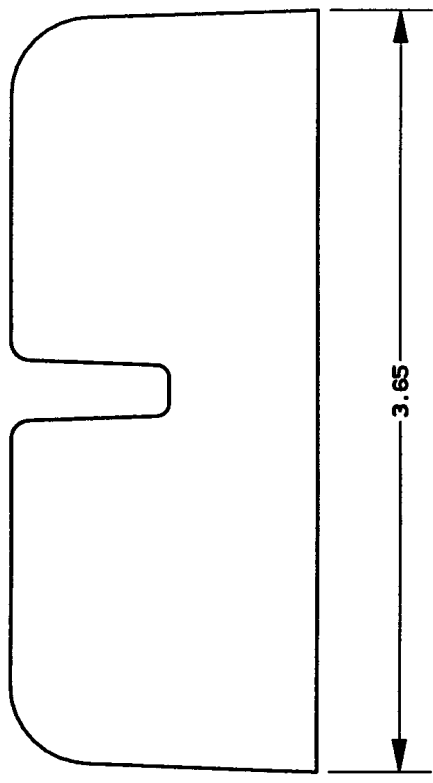
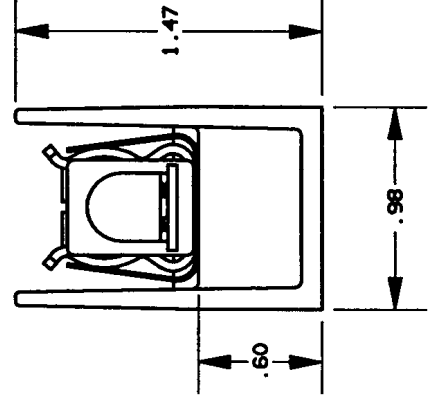
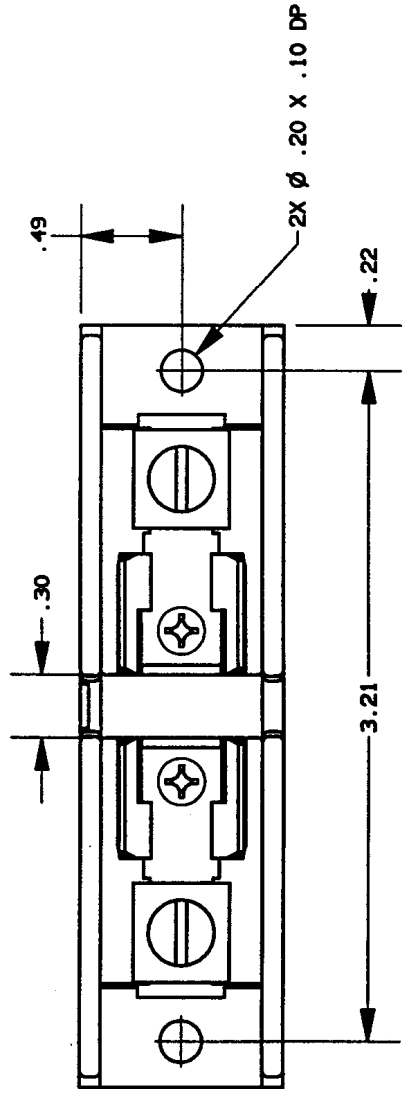


REV	DATE	ECO	DESCRIPTION	BY	CHK	APP
-	26AUG97	N/A	INITIAL RELEASE	PRR	N/A	N/A



NOTES:
 1. TOLERANCES ±.015 UNLESS OTHERWISE SPECIFIED.
 2. MATERIAL COMPOSITION AND RATING THERMOPLASTIC-125°C RTI.

P/N	CONN TYPE	RMS SYM RATING	TORQUE (IN-LBS)	WIRE	U/L	CSA REPORT NO.
30606T	AL BOX	200K	45	60/75 CU-AL	E52283	LR32169

GOULD 374 MERRIMAC STREET
 NEWBURYPORT, MA 01950

PRODUCT MANAGER
 SIGN: *Michael Reim*
 DATE: 9-15-97

DESIGN ENGINEER
 SIGN: *Stacy M. B.*
 DATE: 7/12/97

OUTLINE DIMENSIONS
 NOT TO BE USED FOR PRODUCTION

700214

FUSE BLOCK, 300V-60A, 1 POLE
 CLASS T