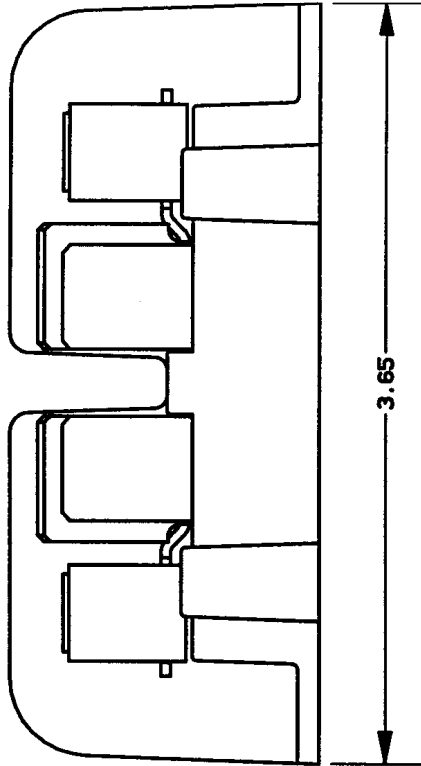
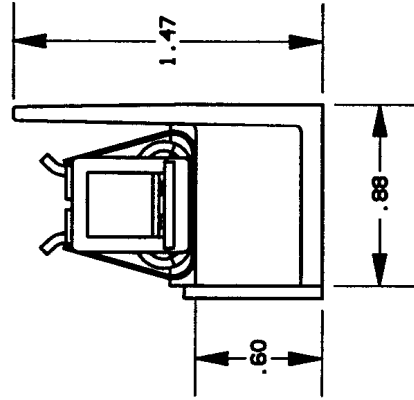
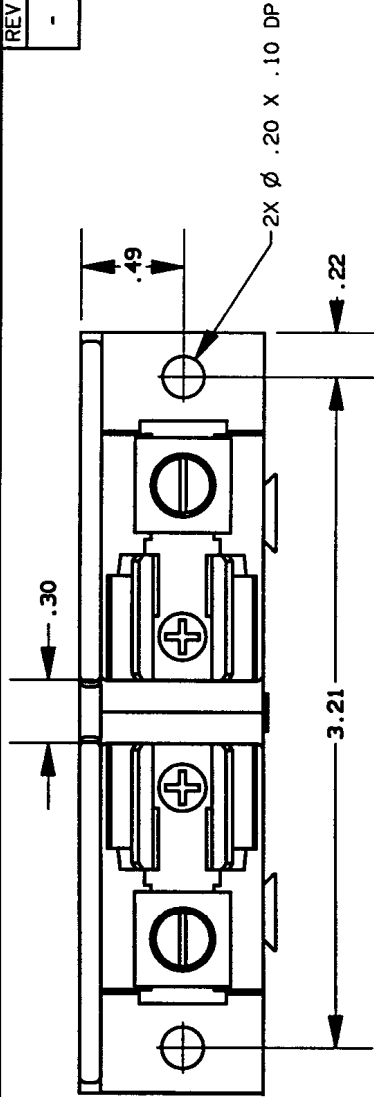


| REV | DATE | ECO | DESCRIPTION | BY | CK/APP |
|-----|---------|-----|-----------------|-----|---------|
| - | 27AUG97 | N/A | INITIAL RELEASE | PRR | N/A/N/A |



NOTES:
 1. TOLERANCES ± .015 UNLESS OTHERWISE SPECIFIED.
 2. MATERIAL COMPOSITION AND RATING THERMOPLASTIC-125°C RTI.

| P/N | CONN TYPE | RMS SYM RATING | TORQUE (IN-LBS) | WIRE °C | TYPE | FILE NO. | U/L | CSA REPORT NO. |
|--------|-----------|----------------|-----------------|---------|---------|----------|------|----------------|
| 30355T | CU BOX | 200K | 35 | 60/75 | CU ONLY | E52283 | IZLT | LR32169 |

GOULD 374 MERRIMAC STREET
 NEWBURYPORT, MA 01950

PRODUCT MANAGER
 SIGN: *Michael Zilk*
 DATE: 8-15-97

OUTLINE DIMENSIONS
 NOT TO BE USED FOR PRODUCTION

700203

FUSE BLOCK, 300V-30A, ADDER CLASS T