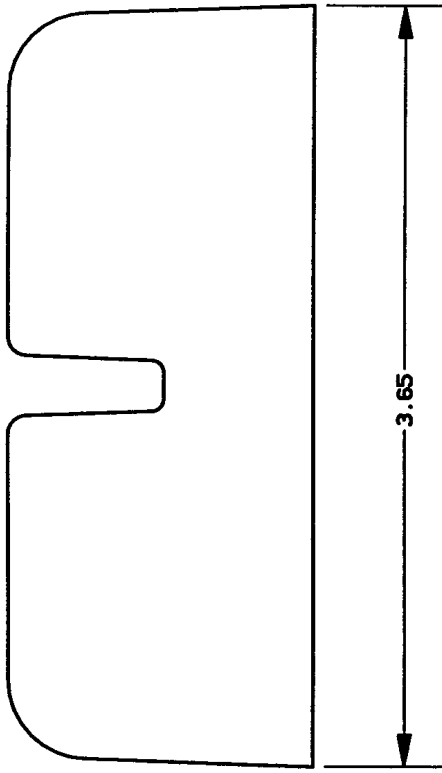
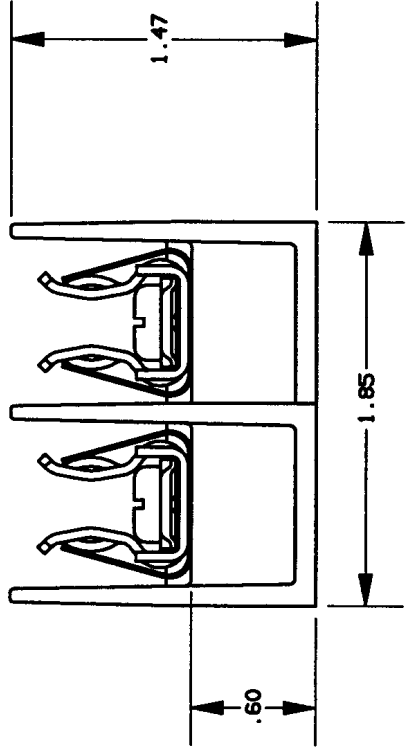
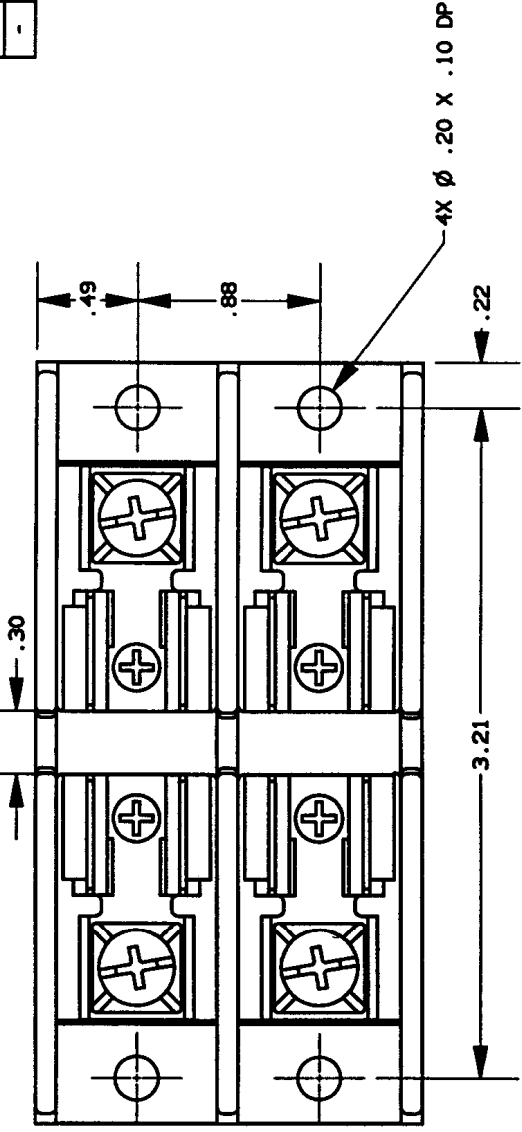


REV	DATE	ECO	BY	CHK	APP
-	27AUG97	N/A			
DESCRIPTION			INITIAL RELEASE		
-			PRR N/A/N/A		



NOTES:  
 1. TOLERANCES  $\pm$  .015 UNLESS OTHERWISE SPECIFIED.  
 2. MATERIAL COMPOSITION AND RATING THERMOPLASTIC - 125°C RTI.

P/N	CONN TYPE	RMS SYM RATING	TORQUE (IN-LBS)	WIRE	U/L	CSA
30327T	PRESSURE PLATE	200K	20	60/75	ES2283	LR32169
				CU ONLY	IZLT	
					FILE NO.	REPORT NO.

**GOULD**  
 374 MERRIMAC STREET  
 NEWBURYPORT, MA 01950

PRODUCT MANAGER: *Michael D'Al*  
 SIGN: *Michael D'Al* DATE: 9-15-97

DESIGN ENGINEER: *John M. Boy*  
 SIGN: *John M. Boy* DATE: 9/12/97

**FUSE BLOCK, 300V-30A, 2 POLE CLASS T**

OUTLINE DIMENSIONS  
 NOT TO BE USED FOR PRODUCTION

700195