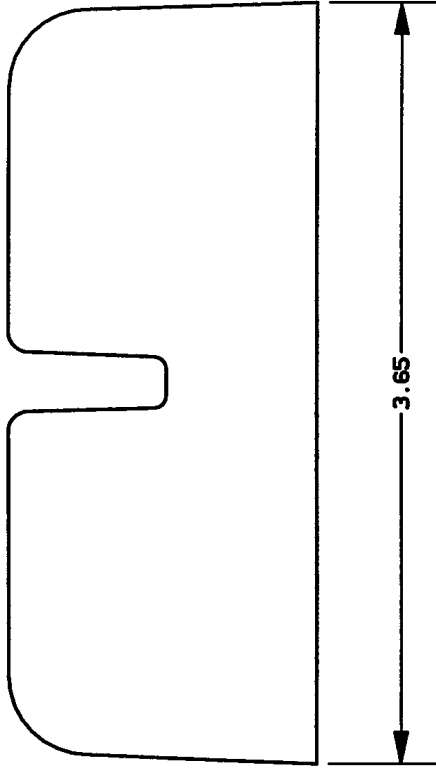
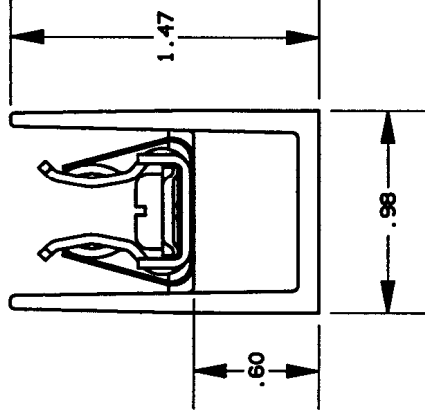
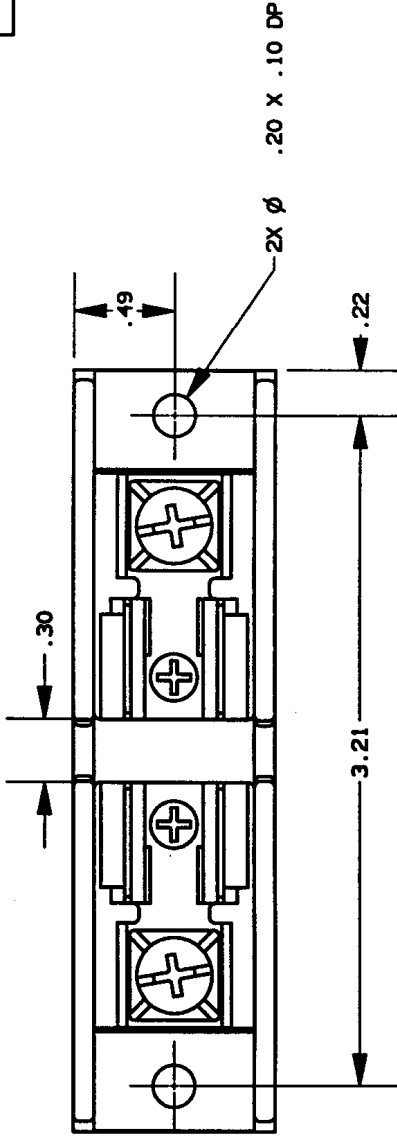


REV	DATE	ECO	DESCRIPTION	BY	CHK	APP
-	27AUG97	N/A	INITIAL RELEASE	PRR	N/A	N/A



NOTES:

1. TOLERANCES ±.015 UNLESS OTHERWISE SPECIFIED.
2. MATERIAL COMPOSITION AND RATING THERMOPLASTIC - 125°C RTI.

P/N	CONN TYPE	RMS SYM RATING	TORQUE (IN-LBS)	WIRE		U/L		CSA REPORT NO.
				•C	TYPE	FILE NO.	GUIDE NO.	
30326T	PRESSURE PLATE	200K	20	60/75	CU ONLY	E52283	IZLT	LR32169

GOULD 374 MERRIMAC STREET
NEWBURYPORT, MA 01950

PRODUCT MANAGER DESIGN ENGINEER

SIGN: *Michael A. ...* SIGN: *Steen M.B.*
DATE: 9-15-97 DATE: 9/12/97

FUSE BLOCK, 300V-30A, 1 POLE CLASS T

OUTLINE DIMENSIONS
NOT TO BE USED FOR PRODUCTION

700194