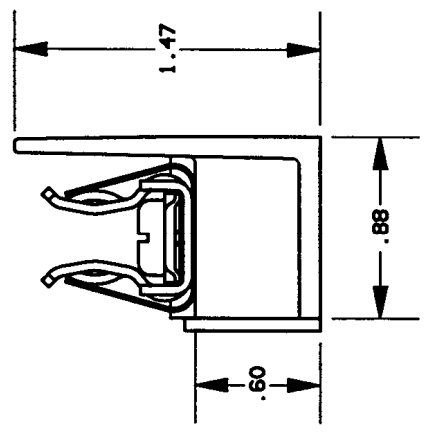
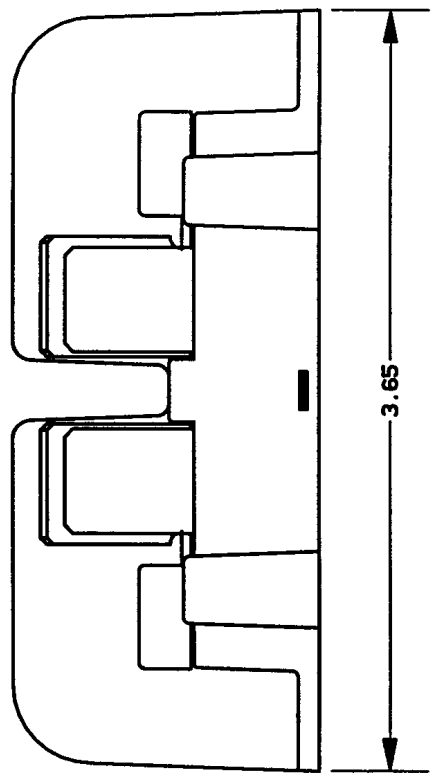
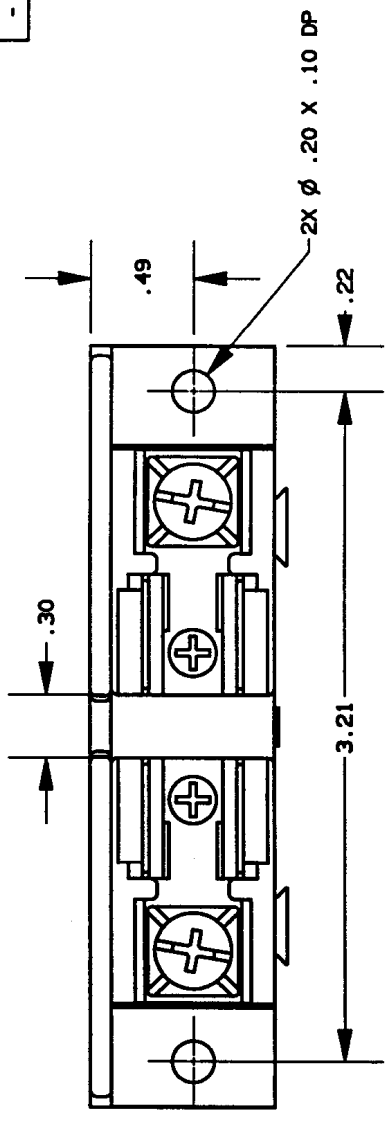


REV	DATE	ECO	DESCRIPTION	BY	CK	APP
-	27AUG97	N/A	INITIAL RELEASE	PRR	N/A	N/A



NOTES:

1. TOLERANCES ±.015 UNLESS OTHERWISE SPECIFIED.
2. MATERIAL COMPOSITION AND RATING THERMOPLASTIC - 125°C RT1.

P/N	CONN TYPE	RMS SYM RATING	TORQUE (IN-LBS)	WIRE	U/L	CSA
	30325T	200K	20	60/75	E52283	LR32169
	PRESSURE PLATE			CU ONLY	IZLT	
					FILE NO.	REPORT NO.

**GOULD** 374 MERRIMAC STREET  
NEWBURYPORT, MA 01950

PRODUCT MANAGER DESIGN ENGINEER

SIGN: *Nihal Bahl* SIGN: *Heidi M...*  
DATE: 9-15-97 DATE: 9/13/97

FUSE BLOCK, 300V-30A, ADDER CLASS T

OUTLINE DIMENSIONS NOT TO BE USED FOR PRODUCTION

700193