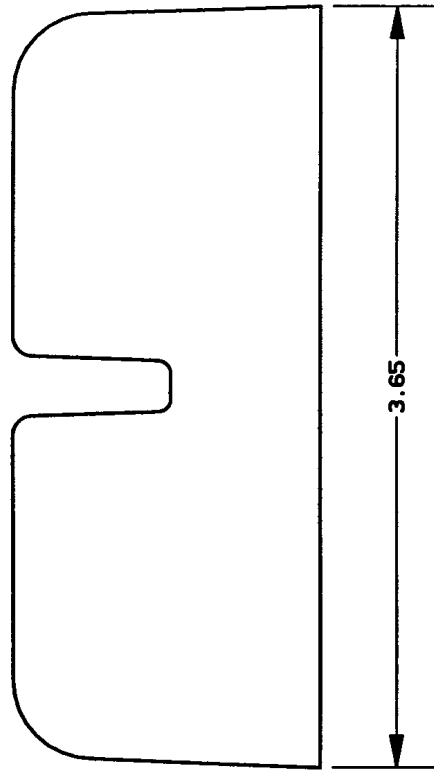
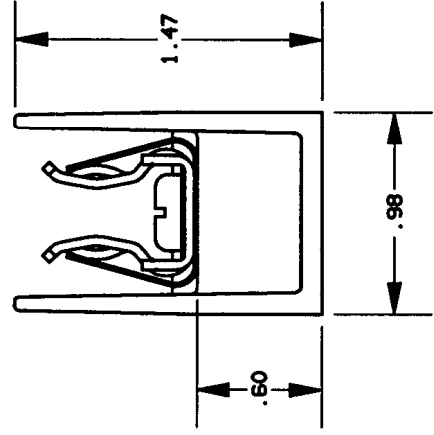
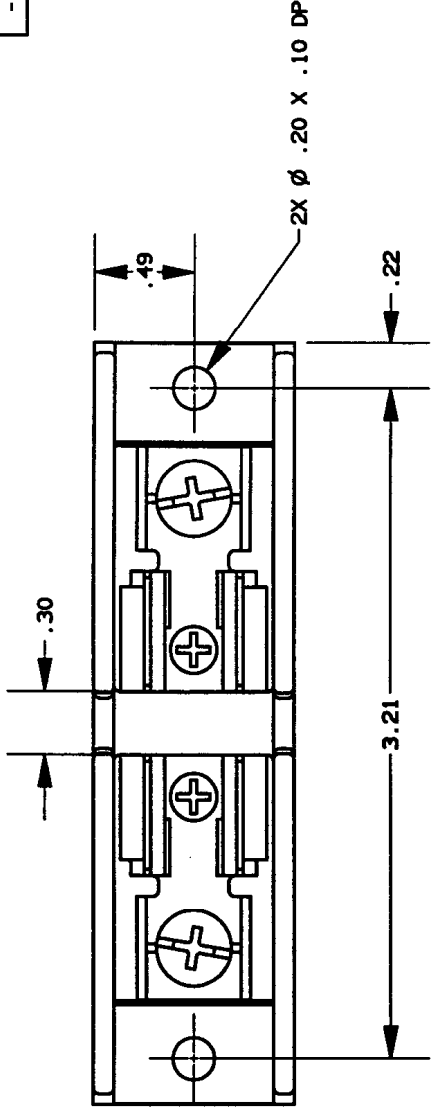


REV	DATE	ECO	DESCRIPTION	BY	CHK	APP
-	27AUG97	N/A	INITIAL RELEASE	PRR	N/A	N/A



P/N	CONN TYPE	RMS SYM RATING	TORQUE (IN-LBS)	WIRE		U/L		CSA REPORT NO.
				•C	TYPE	FILE NO.	GUIDE NO.	
30316T	SCREW	200K	20	60/75	CU ONLY	E52283	IZLT	LR32169

NOTES:

1. TOLERANCES ±.015 UNLESS OTHERWISE SPECIFIED.
2. MATERIAL COMPOSITION AND RATING THERMOPLASTIC - 125°C RTI.

**GOULD**  
 374 MERRIMAC STREET  
 NEWBURYPORT, MA 01950

PRODUCT MANAGER  
 SIGN: *Michael D. ...*  
 DATE: 9-15-97

DESIGN ENGINEER  
 SIGN: *Steve M. ...*  
 DATE: 9/24/97

FUSE BLOCK, 300V 30A, 1 POLE  
 CLASS T

OUTLINE DIMENSIONS  
 NOT TO BE USED FOR PRODUCTION

700189