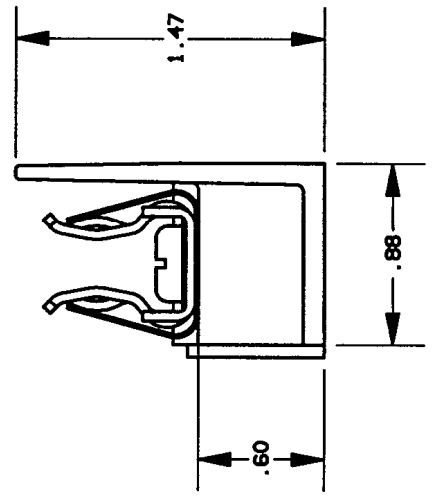
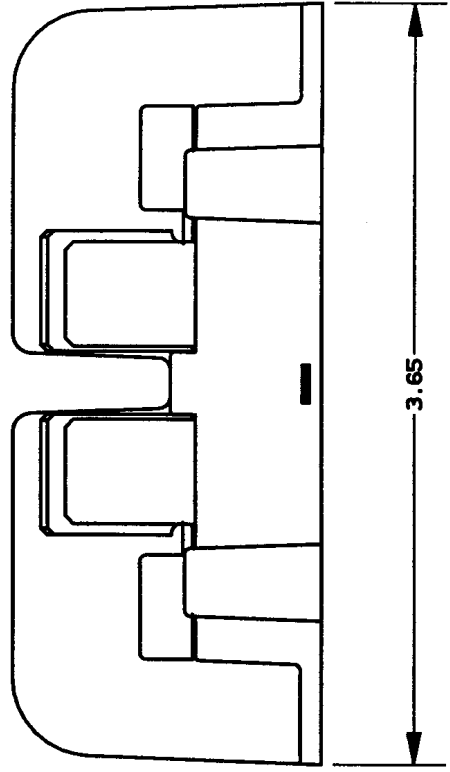
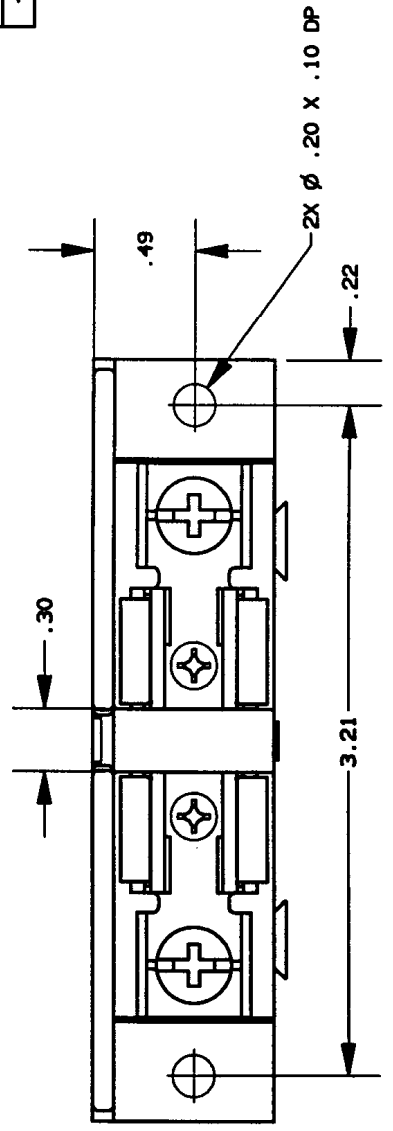


REV	DATE	ECO	DESCRIPTION	BY	CK	APP
-	27AUG97	N/A	INITIAL RELEASE	PRR	N/A	N/A



P/N	CONN TYPE	RMS SYM RATING	TORQUE (IN-LBS)	WIRE		U/L		CSA REPORT NO.
				•C	TYPE	FILE NO.	GUIDE NO.	
30315T	SCREW	200K	20	60/75	CU ONLY	E52283	IZLT	LR32169

NOTES:

1. TOLERANCES ± .015 UNLESS OTHERWISE SPECIFIED.
2. MATERIAL COMPOSITION AND RATING THERMOPLASTIC - 125°C RTI.

**GOULD** 374 MERRIMAC STREET  
NEWBURYPORT, MA 01950

PRODUCT MANAGER: *Michael Zwickler*  
SIGN: *Michael Zwickler*  
DATE: 9-15-97

DESIGN ENGINEER  
SIGN: *Steve M...*  
DATE: 9/12/97

FUSE BLOCK, 300V-30A, ADDER CLASS T

OUTLINE DIMENSIONS  
NOT TO BE USED FOR PRODUCTION

700188