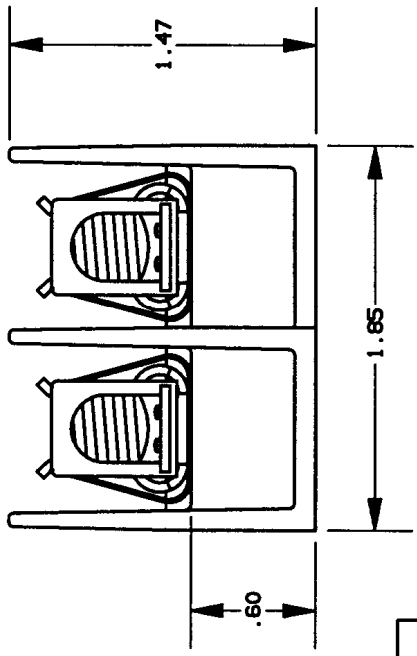
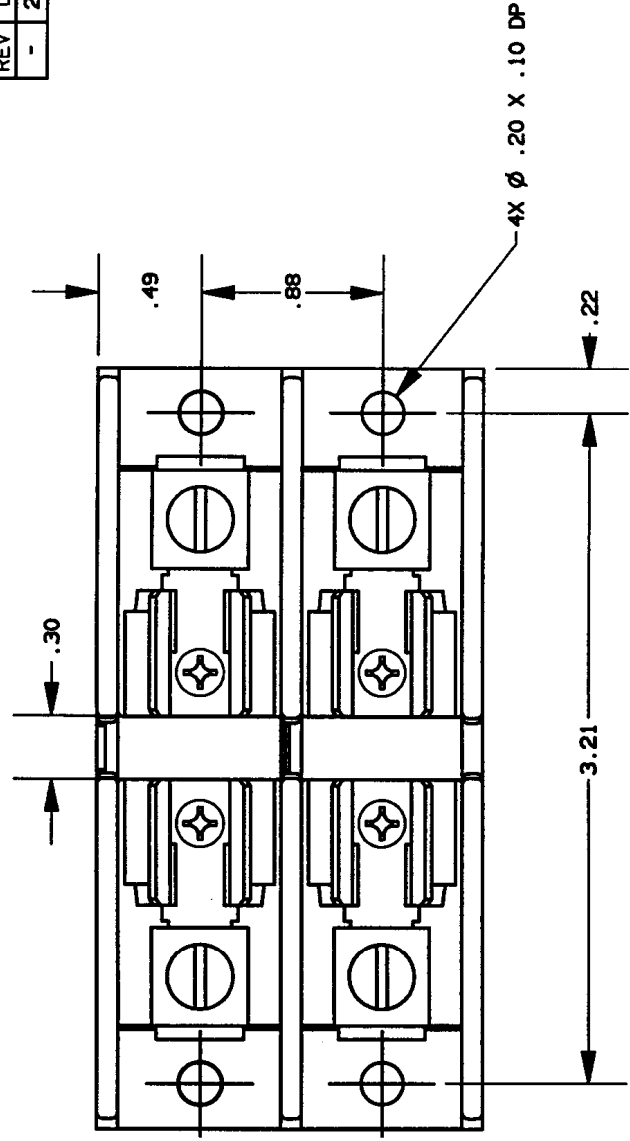


CONTROL No: 3

REV	DATE	ECO	DESCRIPTION	BY	CHK	APP
-	27AUG97	N/A	INITIAL RELEASE	PRR	N/A	N/A



NOTES:  
 1. TOLERANCES ±.015 UNLESS OTHERWISE SPECIFIED.  
 2. MATERIAL COMPOSITION AND RATING THERMOPLASTIC-125°C RTI.

P/N	CONN TYPE	RMS SYM RATING	TORQUE (IN-LBS)	WIRE °C	TYPE	FILE NO.	U/L GUIDE NO.	CSA REPORT NO.
30307T	AL BOX	200K	35	60/75	CU-AL	E52283	IZLT	LR32169

**GOULD** 374 MERRIMAC STREET  
 NEWBURYPORT, MA 01950

PRODUCT MANAGER: *Michael Rubin*  
 DESIGN ENGINEER: *Shirley M.B.*  
 SIGN: *Michael Rubin* DATE: 9-15-97  
 SIGN: *Shirley M.B.* DATE: 9/12/97

OUTLINE DIMENSIONS  
 NOT TO BE USED FOR PRODUCTION

FUSE BLOCK, 300V-30A, 2 POLE  
 CLASS T

700200