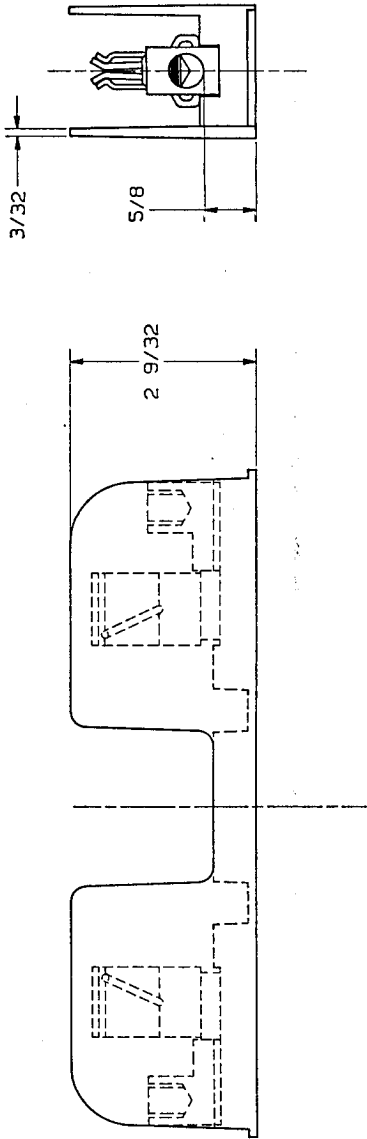
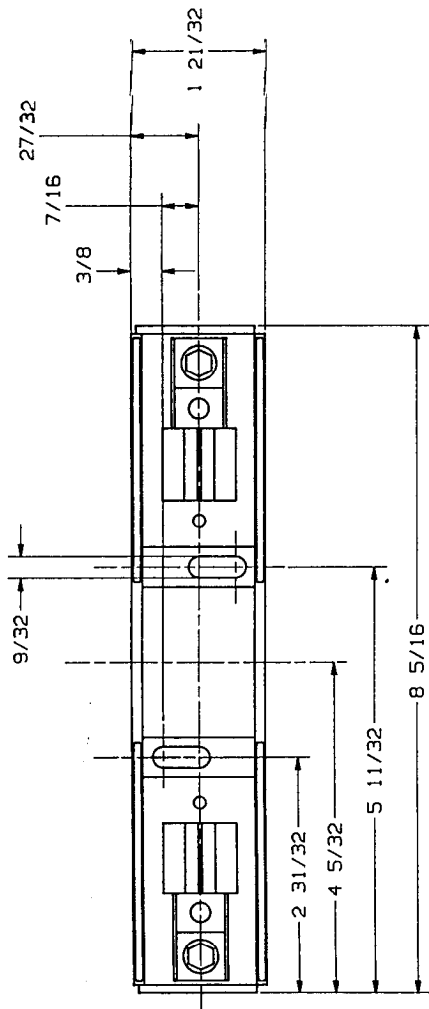


REV	DESCRIPTION	DATE	APPRO
0	RELEASED	8/2/88	RMR



REFERENCE
MAR 16 1992

P/N 21036
ADD 'R' FOR CLASS R

NOTES UNLESS OTHERWISE SPECIFIED: - ALL DIMENSIONS ARE IN INCHES UNLESS NOTED OTHERWISE. - STAMP OR TIE ON ONE END OF PART. - REMOVE ALL BURRS AND SHARP EDGES. - XX4-011 XX-041 ANGLES 40°/30°. FRACTIONS 1/252		MATERIAL FINISH	
THIS DRAWING AND ALL INFORMATION THEREON IS THE PROPERTY OF GOULD SHAWMUT. IT IS NOT TO BE REPRODUCED OR TRANSMITTED IN ANY FORM OR BY ANY MEANS, ELECTRONIC OR MECHANICAL, WITHOUT THE EXPRESS WRITTEN PERMISSION OF GOULD SHAWMUT.		DATE DRAWN BY CHECKED BY APPROVED BY	
GOULD SHAWMUT GOULD SHAWMUT MARBLE HILLS, TX 78854		PRODUCT FUSE BLOCK 250V- 100A SP RF 1 POLE AL BOX CONNECTOR CU-AL	
Dwg No Rev Date		Dwg No Rev Date	
05C0247 00 8/2/88		05C0247 00 8/2/88	
R.R. BYERS		R.R. BYERS	
SCALE 1/1		FILE NO 1 of 1	