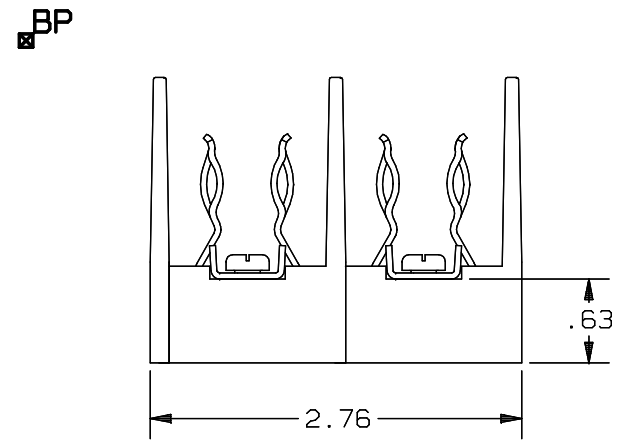
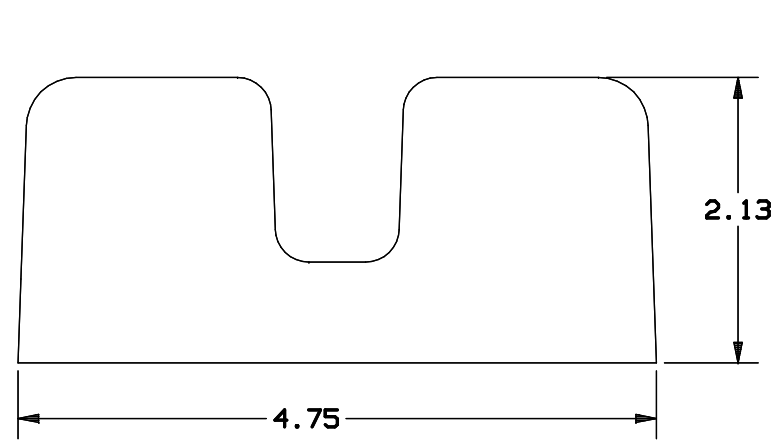


P/N	CONN TYPE	FUSE CLASS	RMS SYM RATING	TORQUE (IN-LBS)	UL		CSA
					FILE NO.	GUIDE NO.	REPORT NO.
20612	SCREW ²	H.K	10K ³	20	E52283	IZLT2	LR32169



³ THE SUITABILITY FOR USE ON HIGH-AVAILABLE FAULT CURRENTS MUST BE DETERMINED IN THEIR END USE.

² ACCEPTABILITY OF THE CRIMP LUG TERMINATION DETERMINED IN END USE.

1. MATERIAL COMPOSITION AND RATING: POLYCARBONATE 125°C RTI.

NOTES: UNLESS OTHERWISE SPECIFIED

P/N 20612

KDS 11/94