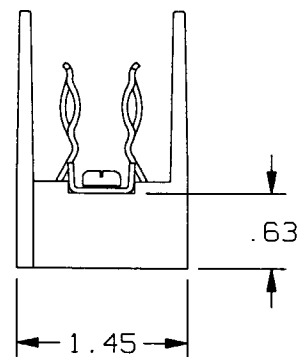
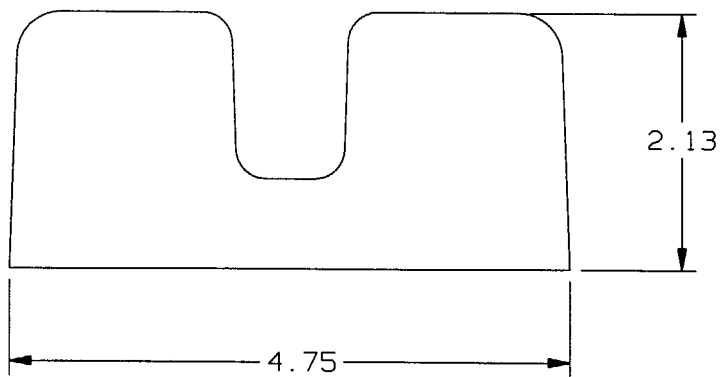
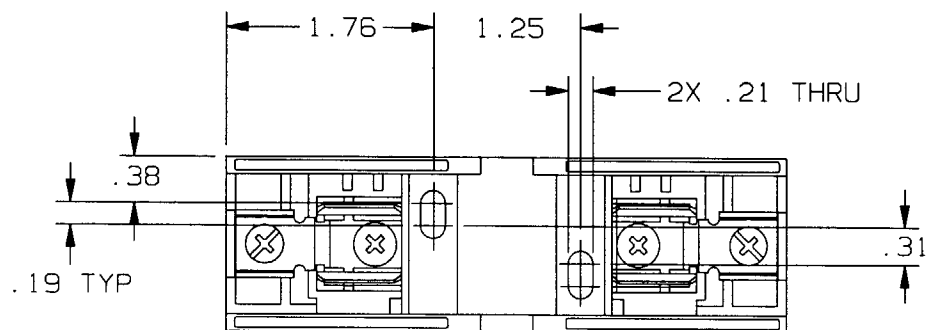


REV	DATE	ECO	DESCRIPTION	BY	CK	APP
-	5-1-00	N/A	INITIAL RELEASE	GCT	N/A	N/A



NOTES:

1. MATERIAL COMPOSITION AND RATING:
BASE - THERMOPLASTIC 125°C RTI
2. ALL TOLERANCES ±.010 UNLESS OTHERWISE NOTED

P/N	CONN TYPE	RMS SYM RATING	TORQUE (IN-LBS)	WIRE		U/L		CSA
				°C	TYPE	FILE NO.	GUIDE NO.	REPORT NO.
20611	SCREW	10K	20	60/75	CU ONLY	E52283	1ZLT2	LR32169

Ferraz Shawmut
 FERRAZ SHAWMUT INC.
 374 MERRIMAC STREET
 NEWBURYPORT, MA 01950

PRODUCT MANAGER
 SIGN: *Richard Dulla*
 DATE: 5-2-00

DESIGN ENGINEER
 SIGN: *J. Moon*
 DATE: 5/2/00

FUSE BLOCK, 600V-60A, 1 POLE
 CLASS H, K

OUTLINE DIMENSIONS
 NOT TO BE USED FOR PRODUCTION

700528